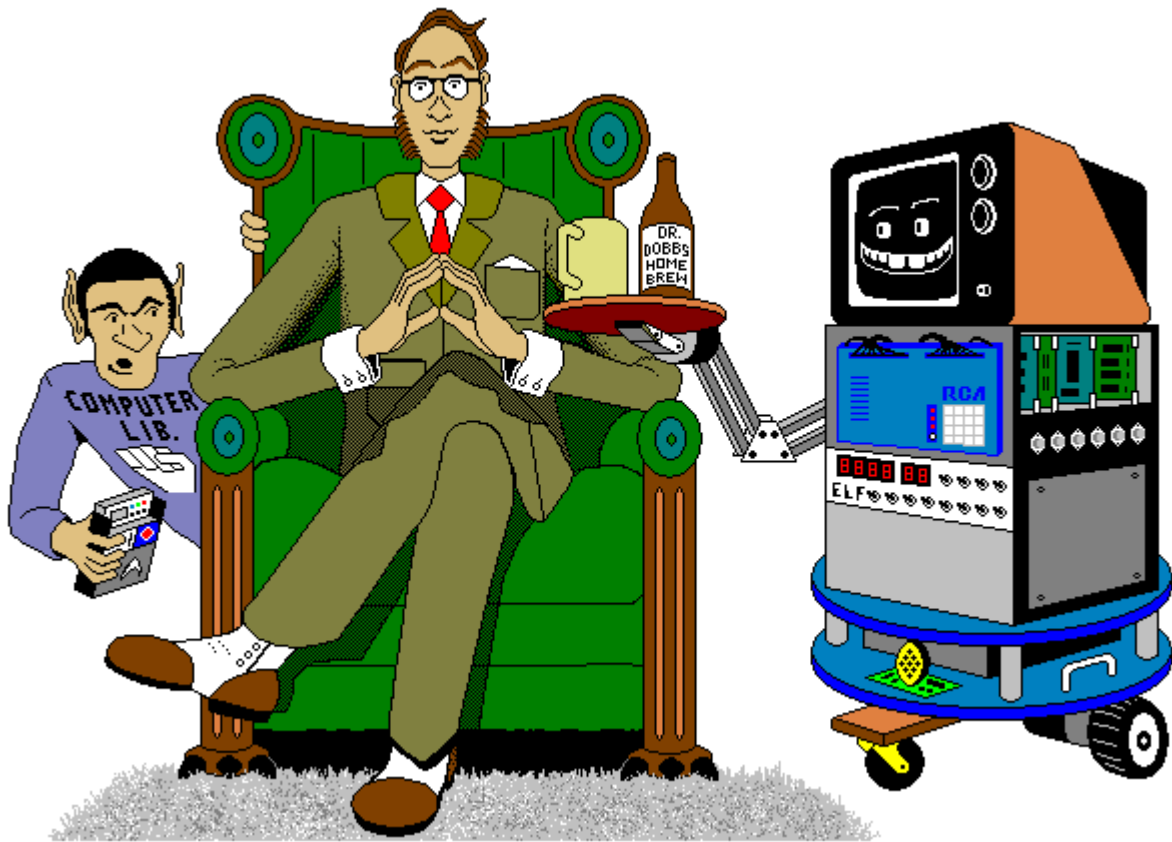


The 1802 Membership Card



For me and you and the 1802

TMSI c/o Lee Hart
814 8th Ave N
Sartell MN 56377 (USA)
leeahart@earthlink.net

<http://www.sunrise-ev.com/membershipcard.htm>

Rev. J2 -- last revised: March 19, 2019

What the heck is this? It's an adventure, by cracky! The **Membership Card** is your ticket to the weird and wonderful world of microcomputing. Our guide will be the COSMAC 1802, perhaps the oddest and most entertaining microprocessor yet invented. I hope you'll find this manual to be equally odd and entertaining.

The COSMAC 1802 was created in the 1970's at the dawn of the microcomputer revolution, by Joseph Weisbecker <https://en.wikipedia.org/wiki/Joseph_Weisbecker> of RCA Corporation. It used their new CMOS fabrication process, for very low power consumption, high noise immunity, and was very simple to use. It was intended for military and aerospace; applications too tough for other microcomputers to survive.

But Joe was a hacker at heart. He wrote a series of articles starting in the August 1976 issue of Popular Electronics magazine called "Build the COSMAC ELF". It described a simple low-cost computer, using the 1802 microprocessor. At the time, microcomputer systems cost hundreds to thousands of dollars. (Hmm... they still do today!) But Weisbecker's ELF cost about \$80! Yet, it was an honest-to-goodness real live computer, able to do anything its much bigger cousins could do -- albeit a bit slower and cruder.

It was the ideal computer trainer. Hobbyists built thousands of ELFs, learning about computer design, construction, and programming in the process. A dozen companies began producing versions of the ELF, also selling for low prices. It was the "Legos" of computers; a simple building-block computer that could be assembled many ways to become almost anything, limited only by your imagination.

I learned about computing on my ELF. It set me on a career in engineering, as it did for thousands of others. 1802's were designed into all sorts of amazing things; video games, music synthesizers, Chrysler engine computers, military weapon systems, and even spacecraft such as NASA's Galileo and the Space Shuttle. Eat stardust, x86 PCs!

So return with me now to those thrilling days of yesteryear, when the heroic pioneers of the microcomputer revolution built their own computers from scratch, and programmed them to do incredible things, all for a tiny amount of money!

What can you do with an 1802?

The Membership Card is much like the Arduino and Parallax BASIC Stamp. You can program it to do simple tasks, and be the "brains" of your projects. It can blink lights, drive relays or small motors, run displays, make annoying sounds with a speaker, read switches or sensors to measure things, perform calculations, make decisions, and more. Unlike the Arduino and BASIC Stamp, the 1802 is far simpler and uses much less power. Its machine language is very simple, and free assemblers are available. There are also open source BASIC interpreters and C compilers for the 1802 to write and run really ambitious programs.

Once a program is loaded, it can be retained without power for hours by the onboard supercapacitor, or indefinitely by maintaining power. Remember, this is a low power computer; it will run for a year on three AA cells! Or, you can put your program in an EPROM so it won't be lost even without power.

The Membership Card can be used all by itself. The Front Panel isn't needed until you want to change the program, or debug or observe operation. For stand-alone use, connect P1 pin 14 (the 30-pin header) to +3v to +5v, and P1 pin 30 to GND. Short P1 pins 13-14 (RUN to VDD) to turn it on. Short P1 pins 10-11 (/WE to /MWR) to enable writing to memory. Connect your desired inputs and outputs to the other pins of P1.

--

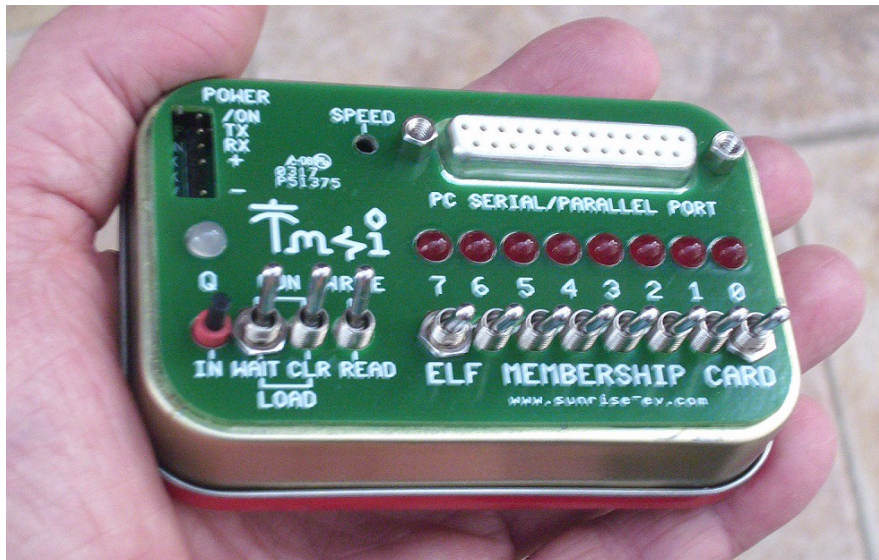
Inspiration for this manual came from Jeff Duntemann's "Captain Cosmo's Whizbang" (c) 1980. The cover was inspired by its cover cartoon by Chris Cloutier, and the one on the back cover by Bill Higgins.

Specifications: What have we got here?

The Membership Card is a miniature version of the original Popular Electronics ELF, repackaged to fit in an Altoids(tm) tin. It's built entirely with vintage parts and techniques available back then (and still available today). It has the basics of every computer; a CPU, memory, and I/O.

- CPU: RCA CDP1802ACE microprocessor (the brains of this outfit).
Clock: 1.8 MHz ceramic resonator, plus an RC oscillator adjustable from 20-2000 KHz (no, that's not MHz or GHz).
Memory: 2K to 64K bytes, RAM and/or EPROM (that's kilobytes, not megabytes). U2 provides 2K to 32K of RAM or EPROM. Optional U8 adds another 32K of RAM. Supercapacitor holds data and programs in RAM without power.
I/O: One 8-bit output port, with LEDs.
One 8-bit input port, with switches.
One 1-bit output, with LED.
Four 1-bit flag inputs, one with a pushbutton switch, one with an LED.
One interrupt input.
Connectors: 6-pin power + serial I/O. A PC with a USB-serial cable can supply both power and serial I/O. 25-pin DB25 connector with all the I/O, control, and power signals on it. Can plug into a PC parallel port or RS-232 serial port to operate the Membership Card with an older PC.
Size: 3-1/2" x 2-1/8" x 3/4" (89 x 54 x 19 mm).
Power: Voltage: 3v to 5v DC.
Current: 0.2 to 25ma depending on clock speed and supply voltage, plus 1-2ma for each LED that is on.
Aroma: A hint of curiously strong mint.

Unlike modern microcomputers that require an expensive PC and huge software programs to do anything, the Membership Card is totally self-sufficient. No PC is needed, and no special software is required. You can power it from a small solar panel, and program it with nothing but the front panel switches and lights. If you ever get stranded on a desert island and need to compute, this is the computer to have in your pocket!



The complete package: The Membership Card, Front Panel, and Cover Card all fit in an Altoids tin.

Assembly: Getting it all together

This ain't no Heathkit, but I'm working to make it as easy to build as possible. I want it to be something you can give to your kids, and have them experience the thrill of saying, "I did it! It's alive! Bwoo ha ha hah..."

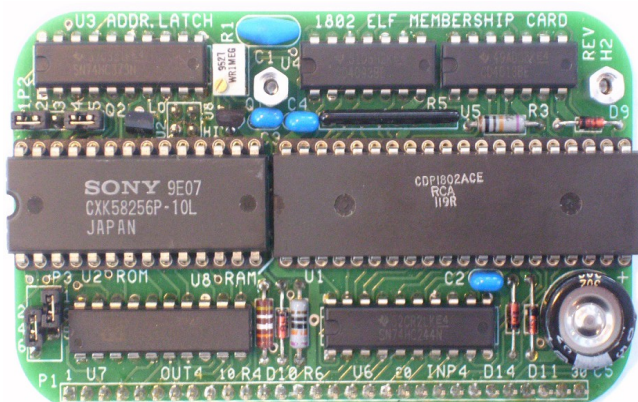
To assemble it, you'll need the following tools:

- A clean, well-lit, place to work. Preferably one without cats or small children.
Or if the kids are old enough, let them help. (Cats are never old enough to help.)
- Soldering iron with a small tip. Don't use a soldering gun unless you're desperate.
Soldering these tiny parts and pads with a big fat tip will be a real challenge.
- Solder. 63/37 tin/lead is best, but 60/40 is also good. Lead-free electronics solder is also OK, though it doesn't solder as well. But it **must** be rosin core electronics solder; NOT acid core plumbing or sheet metal solder!
- Wire cutters. The smaller the better. Nothing is big here.
- Needle-nosed pliers. For bending or straightening lead wires, holding nuts, etc.
- Screwdriver with a 1/8" wide or smaller blade. For tightening mounting screws, and adjusting the clock speed pot.
- A magnifying glass. My old eyeballs aren't good enough to read the markings on some parts, or see if a solder joint is done right or is shorted to the pad next to it. Your eyes may not be that good, either.

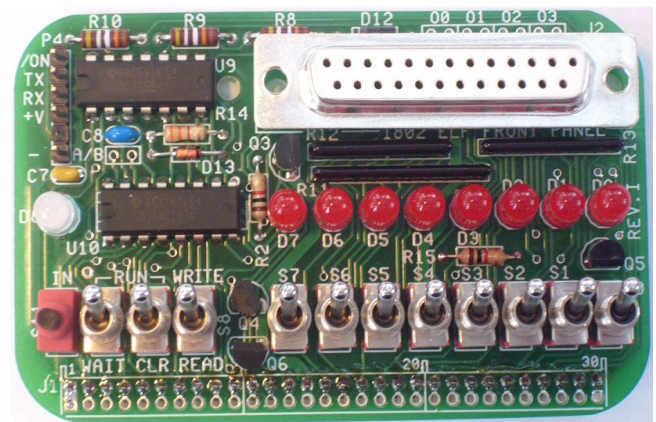
You'll need to know how to solder. This isn't the right kit to learn how to solder. The pads are pretty small, and if you make a mistake, it can be a real fight to get the part off and put back on the right way.

First, make sure you have all the parts. I supplied everything that goes on the printed circuit boards, but you may need to gather a few other things yourself. I'll supply Altoids tins as long as my supply holds out, but you will have to drill or cut the holes in it for the switches, LEDs and connectors.

The Membership Card is your entry into the **COSMAC College of Computer Knowledge**. We'll start with an aptitude test. See if you can find and identify the common electronic components listed on the next page. Place a check mark in the box (X) as you find them. If any are missing, let me know so I can send it out before you get bored and go back to watching TV. Ready? Turn the page to begin an adventure that could last a lifetime...



Membership Card

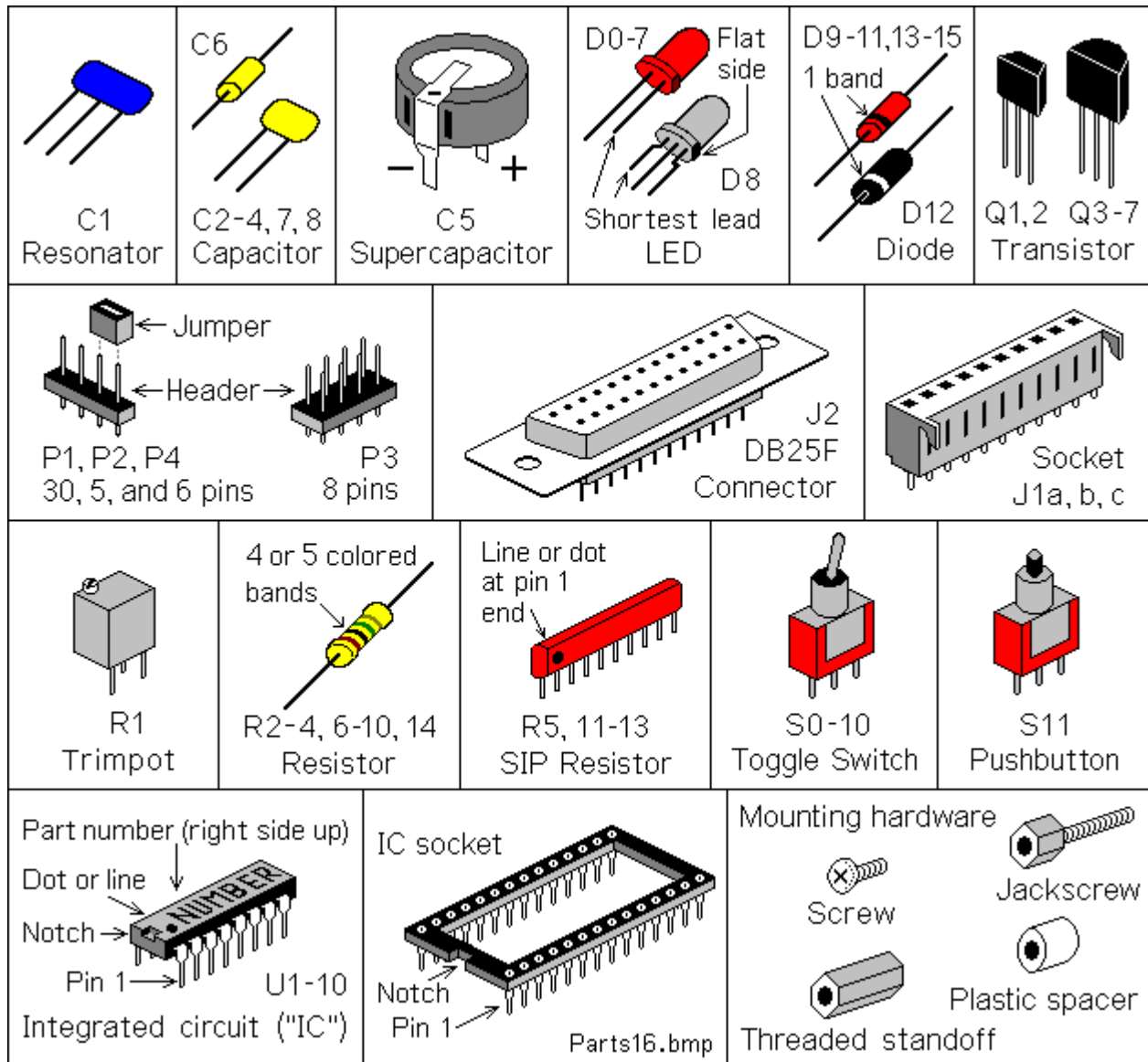


Front Panel Card

Parts List

<u>Quantity</u>	<u>Identifier</u>	<u>Description</u>	<u>Source for replacement parts</u>
() 1	C1	ceramic resonator, 1.8 MHz (blue, marked 1.80Y)	Mouser 520-ZTT180MG
() 4	C2-4, C7	capacitor, 0.1uF X7R ceramic (yellow, marked 104)	Jameco 1570161
() 1	C5	supercapacitor, 0.22F, 5.5vdc (black disk, 0.4" dia.)	Mouser 667-EEC-S0HD224H
() 1	C8	capacitor, 4.7uF ceramic (blue, marked 475)	Mouser 810-FK14X7R1E475K
() 8	D0-D7	LED, T1-3/4, red	Jameco 253753
() 1	D8	LED, T1-3/4, red/green, common cathode (white, 3 leads)	Digikey 754-1886-ND
() 5	D9,10,13-15	diode, 1N4148 (clear red case)	Jameco 36038
() 1	D11	diode, 1N5231C 5.1v zener (clear red case)	Jameco 179047
() 1	D12	diode, 1N5818 Schottky (black case)	Jameco 177957
() 3	J1a,b,c	socket, 10-pin top entry, Molex 22-18-2101	Digikey WM3241-ND
() 1	J2	connector, 25-pin, DB25 female, vertical PC mount	Jameco 15165
() 1	P1	header, 30-pin, with 0.025" square pins on 0.1" centers	Jameco 103342
() 1	P2	header, 5-pin, with 0.025" square pins on 0.1" centers	Jameco 2076789
() 1	P3	header, 4x2 pin, with 0.025" square pins on 0.1" centers	Jameco 109517
() 1	P4	header, 6-pin, with 0.025" square pins on 0.1" centers	Jameco 153700
() 1	Q1	transistor, 5LN01SP N-channel MOSFET (marked YB1C)	Mouser 863-5LN01SP
() 1	Q2	transistor, 5LP01SP P-channel MOSFET (marked XB5A)	Mouser 863-5LP01SP
() 3	Q3, Q4, Q6	transistor, FJN4303 PNP with base resistors (marked R4303)	Mouser 512-FJN4303RTA
() 2	Q5, Q7	transistor, FJN3303 NPN with base resistors (marked R3303)	Mouser 512-FJN3303RTA
() 1	R1	trimpot, 1meg, BI Tech 64WR1MEG (3 leads, gray cube)	Mouser 858-64WR1MEGLF
() 1	R2	resistor, 1k 1/4w (brown-black-red-gold)	Jameco 690865
() 5	R3,6,8-10	resistor, 100k 1/4w (brown-black-black-orange-violet)	Jameco 691340
() 2	R4, R7	resistor, 1meg 1/4w (brown-black-green-gold)	Jameco 691585
() 3	R5,R12,R13	SIP resistor, 8-pin, 7 x 82k (red, marked L81S823)	Digikey 4308R-101-823LF-ND
() 1	R11	SIP resistor, 10-pin, 9 x 1.8k (red, marked L101S182)	Mouser 652-4610X-1LF-1.8K
() 1	R14	resistor, 3.3k 1/4w (orange-orange-red-gold)	Jameco 690988
() 11	S0-S10	toggle switch, subminiature SPDT	Digikey CKN1091-ND
() 3	nuts	for the toggle switches	comes with the switch
() 1	S11	pushbutton switch, subminiature SPDT	Digikey CKN1740-ND
() 1	U1	1802 microprocessor	eBay, or TMSI (that's me :-)
() 1	U1 socket	40-pin, ultra-low height, Mill-Max 115-43-640-41-003000	Digikey ED90220-ND
() 1	U2	32k RAM supplied. Use 2k-32k RAM (6116, 6264, 62256 etc) or EPROM (2716-27256 or 27C16-27C256 etc.)	Jameco 42850 (32k RAM) Jameco 39731 (32k EPROM)
() 1	U2 socket	28-pin, very-low height, Mill-Max 115-43-628-41-001000	Digikey ED90205-ND
() 1	U3	74HC373 or 74HCT373 octal latch	Jameco 45831
() 1	U4	74HC132 quad 2-input NAND gate, Schmitt trigger	Jameco 45321
() 1	U5	4013 dual D flip-flop	Jameco 893443
() 1	U6	74HC244 or 74HCT244 octal buffer	Jameco 45655
() 1	U7	74HC374 or 74HCT374 octal D flip-flop	Jameco 45858
() 1	U9	4071 quad 2-input OR	Jameco 13274
() 1	U10	74HC157 or 74HCT157 quad data selector	Jameco 272170
() 1	PCB	Membership Card (rev.J2) and Front Panel Card (rev.J)	TMSI (me again)
() 2	screw	#4-40 x 3/16" round head machine screw	Fastenal 1128626
() 2	spacer	#4 x 3/16" dia, 1/8" long plastic spacer	Mouser 749-9908-125
() 2	standoff	#4-40 x 3/16" dia, 5/16" long, hex female threaded standoff	Mouser 728-FC2054-440-A
() 2	jackscrow	#4-40 x 3/16" dia, .187" long female, 0.515" long male	Jameco 108987
() 4	jumper	jumpers for P2 and P3 headers	Mouser 737-MSB-G
() 1	case	Altoids (tm) or equivalent tin candy box	grocery or candy store

Did you find them all? Here are some hints:



Comments on components

The resistors use colored rings to identify their resistance in Ohms. The other parts have numbers, but you may need a magnifying glass to read them! Capacitors have their value in Farads (usually picoFarads). For example, "104" means 10 with four zeroes after it; that's 100,000pF (picoFarads). To add to the fun, this is often written as 0.1uF (microFarads). A microFarad is a millionth of a Farad, and a million picoFarads.

ICs have room for a part number, but it's usually hidden between extra letters. For example, the 1802 is actually marked "CDP1802ACE". Leave the ICs in their packaging until you're ready to install them. They are easily damaged by static electricity. You know that tiny little spark you get if you touch something metal after petting the cat or walking across a carpet? That's static electricity. In the microscopic world inside an IC, it hits like a lightning strike. **KABOOM!** Your IC is dead.

Note: U8 and C6 are optional parts to expand memory to 64K. They are not supplied with the standard kit. You can order them from me, or from the sources in the parts list on page 5.

Assembly

Assembly is a work in process. I'll just describe how I built mine. Please let me know if you find better ways to do it! Check off the steps as you go (X), in case you get interrupted and have to come back to it later.

A couple things to keep in mind: To fit both boards in an Altoids tin, they must be built with the parts as low as possible. Standard IC sockets are too high, so I've supplied special low-profile sockets. Likewise, the plastic bodies of the square pin headers (P1, P2, and P3) make them too tall, so the plastic bodies have to be removed after soldering. You'll also need to trim the leads on the back of the boards very short as you go.

Ready? Let's get started!

Membership Card assembly

All parts go on the side of the board with the white silkscreened lettering (the top or "component" side). All soldering is done on the other side (the back or "solder" side). The only exceptions are for connectors (and I'll remind you when we get to them).

First, we'll install the lowest parts (the resistors):

- () R3: 100k ohm resistor (gray body, with brown-black-black-orange-violet color bands). Bend the wire leads, and place it on the board at the location marked "R3". Bend the leads outward slightly to hold it in place. Turn the board over, solder each lead, and cut off the excess as short as possible.

Install the rest of the parts the same way.

- () R4: 1 meg (tan body, with brown-black-green-gold bands).
- () R6: 100k (gray body, with brown-black-black-orange-violet bands).
- () R7: 1 meg (tan body, with brown-black-green-gold bands). Be sure to put the leads in the outer holes, at the ends of the rectangle; not in the middle hole.

Capacitors have two leads, but are installed pretty much the same. If the leads are bent, straighten them with your needle-nosed pliers to fit in the board. Then repeat the above steps to install each one.

- () C2: 0.1uF (yellow, marked "104").
- () C3: 0.1uF (yellow, marked "104").
- () C4: 0.1uF (yellow, marked "104").
- () C5: 0.22F (a black disk, marked "GC5.5V0.22F"). The flat lead coming from the top has a "-" sign stamped on it. This lead goes in the hole near the "-" and "C5" markings, closest to the corner of the board.

These next parts are a little bigger, with more leads:

- () R5: 8-pin SIP (Single Inline Package) with seven 82k resistors in it (red, marked "L81S823"). Put it at "R5" with pin 1 (the end with the black line) next to C4.
- () C1: 1.8 MHz ceramic resonator (blue body with 3 pins, marked "1.80Y").

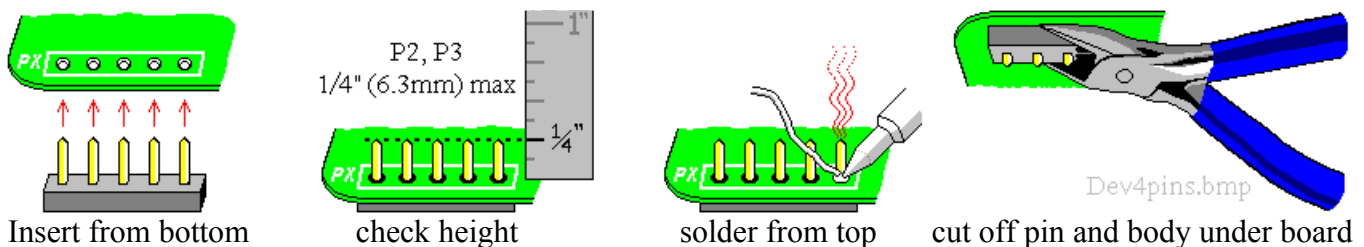
- () Q1: 5LN01SP N-channel MOSFET transistor (black, 3 leads, marked "YB4F" or "YB1C"). Insert it at "Q1", with the larger marked flat side facing up, toward "R1". The center lead goes in the bottom hole, and the other two leads go in the top holes. Push it down so it is less than 1/4" (6.35mm) high.
- () Q2: 5LP01SP P-channel MOSFET transistor (black, with 3 leads, marked "XB5A"). Insert it at location "Q2", with the larger flat side marked XB5A facing down, toward "C6".
- () R1: 1 megohm trimpot (a gray cube with 3 leads, marked "WR1MEG").

Diodes are polarity sensitive, and have a colored band around one end. Be **sure** the banded end matches the band shown on the board.

- () D9: 1N4148 (a reddish glass tube, with a wire at each end, and marked "4148" in tiny letters). Bend the leads, and place it on the board at "D9" with the banded end as shown on the board. Solder each lead, and cut off the excess.
- () D10: 1N4148.
- () D14: 1N4148.
- () D11: 1N5231C (also reddish glass, but marked "F231C"). It has tape on its leads, marked "D11".

Now for the pin headers: They get soldered on top, which is easier without the ICs in the way. Hint: Cover the nearby IC holes with a piece of masking tape so you don't accidentally plug them with solder.

- () P1: 30-pin header. Insert the pins with the plastic body against the **bottom** of the board (see drawing below). Solder the pins on the **top** side. Don't use too much solder. Cut off the plastic body and pins on the bottom as short as possible. Hint: To remove excess solder on top, temporarily plug a 10-pin female connector onto the pins to hold them in place. Touch your soldering iron to the pin from underneath, so the excess solder flows down onto the iron. Then unplug the female connector.
- () P2: 5-pin header. Install P2 the same as P1. Measure the height of the pins on top. If more than 1/4" (6.35mm) high, tap them down into the plastic body. They **must not** be higher, or they will short to the Front Panel. Solder on **top**, and cut the plastic body and pins on the **bottom** as short as possible.
- () P3: 6-pin header. Install it the same as P1 and P2. I supplied an 8-pin part. Remove 2 pins so it fits on the board. Be sure the pins are no more than 1/4" (6.3mm) above the board.



ICs and static electricity: (Old pros and young fools can skip this paragraph.) ICs are easy to damage with static electricity! Keep them in their protective packaging until needed. When you remove an IC, keep it in your hand until it is on the board. Pick up the board or tool with your other hand. Do not have the IC be the first thing to touch the tool or board. That way, any static electricity discharges into **YOU**, and not the IC.

ICs are polarity sensitive; they **must** be installed with the pin 1 end matching the marking on the board. The pin 1 end may be marked in a number of ways; with a dot, notch, or line, etc. When the printing on the IC is right side up and facing you, pin 1 is in the lower left corner. See the illustration on page 6 to find pin 1.

Lay each IC on its side on the table. Bend the pins slightly inward so they are straight and parallel to each other. If it still does not fit into the holes on the board, use your needle-nosed pliers to straighten the leads.

IC sockets add cost, and make the board taller so it won't fit in the Altoids tin. Sockets are also the least reliable part of the whole computer, especially if you use el-cheapo sockets! But they make troubleshooting and chip replacement easier. I supply special high-quality low-height sockets for U1 and U2 (the 1802 and memory chip). You can add sockets for the rest if you watch out for height and reliability issues.

- () U1a: 40-pin IC socket. Install it on the board at location "U1". The notched end must match the notch shown on the board. Solder each pin.
- () U1: 1802 (marked "CDP1802ACE"). Plug it into the socket, so the notched end matches the board. Note: The socket is **tight!** You have to push pretty hard to fully seat U1 in its socket. When fully seated, the thin part of the IC pin will be completely inside the socket.
- () U2a: 28-pin IC socket. Install it the same as U1a. I cut away part of the socket to make room for C6 and R7. The open end with the missing bar is toward U1.

New! Improved! (yada yada...) Optional Memory Expansion RAM

Rev.G and later Membership Cards have room for U8, a second memory chip to add another 32K of RAM. This is an **option**, not included with the standard kit. To add it, you need two extra parts:

1. U8: 32K RAM in 0.3" wide DIP package (Cypress CY7C199; Jameco 242376 or equivalent).
2. C6: 0.1uF X7R axial lead ceramic capacitor (Mallory P20R104K5; Jameco 536542 or equivalent).

If you are **not** installing U8, skip the steps in the following box. To **install** U8, do steps A, B, and C:

-
- A. () U2: If U2 is installed, unplug it and set it aside. On the socket for U2, remove the 2 plastic bars that connect its two rows of pins. The easiest way is to melt them in two with your soldering iron, then cut off the excess with your diagonal cutters. This makes room for U8 to fit under U2.
 - B. () U8: 32K 0.3" wide 28-pin RAM (CY7C199 or equivalent; for example, Jameco.com #242376). Install it at location U8 on the board. Be sure the pin 1 end matches the board. Solder U8 directly to the board without a socket; a socket makes it too tall to fit under U2.
 - C. () C6: 0.1uF X7R ceramic capacitor with axial leads (marked "104"; Jameco.com #536542). Install it like the resistors. Yes, it's a tight fit! If needed, **carefully** remove a little plastic from socket U2a to make room. The easiest way to do this is to melt it away with your soldering iron.
-

- () U2: 32K 0.6" wide 28-pin memory IC (marked "CXK58257P-10L" or equivalent). Plug it into the socket so the notched end matches the board. Push **HARD**; it's a tight fit in the socket.

Now we'll do the rest of the ICs. Install each one so the notched end matches the board. Bend a couple pins if necessary to hold it in place. Then solder all the pins, and cut off the excess. (Note: These ICs don't have sockets. If you add sockets, remember they must have a very low height to fit in the Altoids case.)

- () U3: 74HC373 or 74HCT373 20-pin IC.
- () U4: 74HC132 14-pin IC.
- () U5: 4013 14-pin IC.
- () U6: 74HC244 or 74HCT244 20-pin IC.
- () U7: 74HC374 or 74HCT374 20-pin IC.

Front Panel assembly

Install these parts on the Front Panel Card the same way you did on the Membership Card:

- () C7: 0.1uF (yellow, marked "104").
- () C8: 4.7uF (blue, marked "475"). Yes, it really is 47 times more capacitance than C7!
- () D12: 1N5818 (black body). The banded end matches the board.
- () D13: 1N4148 (clear red body, marked "4148"). The end with the band must match the board (on the right, toward Q3).
- () D15: 1N4148 (clear red body, marked "4148"). The end with the band goes on the left, toward C7. Caution: The bands on D13 and D15 face in **opposite** directions!
- () R2: 1k (tan body, with brown-black-red-gold bands).
- () R8: 100k (gray body, with brown-black-black-orange-violet bands).
- () R9: 100k (gray body, brown-black-black-orange-violet bands).
- () R10: 100k (gray body, with brown-black-black-orange-violet bands).
- () R14: 3.3k (tan body, with orange-orange-red-gold bands).
- () P4: 6-pin header. REMOVE pin 2. The plastic body goes on the top of the board, with the missing pin at the unmarked position. (Pin 2 is removed as a "key". Block pin 2 in your mating connector so you can't plug it in backwards.)

Now for the transistors. There are two types. Don't mix them up!

- () Q3: FJN4303 PNP transistor (black, 3 leads, marked "R4303"). Position the flat side on the board as shown. Push and wiggle it close to the board so the height is no more than 0.3" (7.5mm). Then solder it in.
- () Q4: FJN4303 PNP transistor (marked "R4303"). Install it the same way as Q3.
- () Q5: **FJN3303 NPN** transistor (marked "R3303"). Same as Q3, but the part number is different!
- () Q6: FJN4303 PNP transistor (marked "R4303"). Do it again...
- () Q7: **FJN3303 NPN** transistor (marked "R3303"). And again!

Next, install the SIP resistor networks and ICs. The end with the dot or line is "pin 1". It goes on the **top** in the illustration on page 11, to match the printing on the board. Solder each lead, and cut off the excess.

- () R11: 10-pin SIP resistor network with nine 1.8K resistors (red, marked "L101S182").
- () R12: 8-pin SIP with seven 82K resistors (red, marked "L81S823").
- () R13: 8-pin SIP with seven 82K resistors (red, marked "L81S823").
- () U9: 4071 14-pin IC. Be sure pin 1 is at the correct end!
- () U10: 74HC157 or 74HCT157 16-pin IC. That goes for U10 as well.

- () J1a, J1b, J1c: Three 10-pin parts are supplied. Mount them on the **bottom** of the board. The pins go in the row of holes toward the CENTER of the board, with the connector's "cat ears" also toward the center. Do not solder the empty holes close to the edge. Hint: Put a piece of masking tape over these holes so you don't solder them closed. Solder the pins, and cut off the "ears".

- () A. If you don't have a **Cover Card**, use the bare Front Panel board as a template to drill the Altoids tin (or your own plastic or metal panel). I use the **bottom** of the Altoids tin as my "front panel". Drill small 1/32" holes for the switches, LEDs, D-connector J2, and power connector P4. Then remove the PC board, and enlarge the holes to the final size. Use a "step" drill bit, which won't tear the thin metal. This is a long drill bit with a single cutting edge and steps in it to drill a dozen or so sizes from 1/8" to 1/2". Cut the D-connector opening with a nibbling tool or a lot of hand filing.

B. The optional **Cover Card** is available at <http://www.sunrise-ev.com/membershipcard.htm>. It has all the labels and holes made for you (see photo on page 3). Just cut a big hole in the bottom of the Altoids tin, and use the card to cover the hole. Solder, screw, or glue it in place **after** you finish assembling the boards (so you know everything fits).

() S11: Pushbutton switch. Put it on the board with the printed side **up** in this view. Bend one of the pins slightly; just enough so it won't fall off the board. Do not solder.

() S10: Toggle switch. Put it on the same as S11, with the "120v" side up. Bend a pin so it won't fall off. Do not solder.

() S9-S0: Place them on the board the same as S10. Do not solder.

() D8: White 3-lead LED. Put the shortest lead in the **left** hole, and the flat side of the case on the right. Do not solder.

() D0-7: Red LEDs. Short wire and flat side go on the **right**. Do not solder.

() J2: D-connector. Loosely mount J2 to the Front Panel Card and Cover Card with #4 hardware as shown.

Dev4FP-A.bmp

- () Wiggle the parts and boards so the LEDs and switches fit neatly into your Cover Card or front panel. Work the board as close as you can. Careful! The switches can break if the holes in your front panel don't match well enough. Hint: Use a 1/8" (3mm) wide strip of cardboard to hold the LEDs at the same height. **Now** solder the parts to the board, with the Cover Card holding everything in position.
- () Remove the mounting hardware from D-connector J2. Be sure you can easily remove, and re-install the Cover Card. You may have to re-heat or reposition some parts, or enlarge some holes in your front panel to make it fit easily. This may seem tedious, but it makes **sure** that all the parts are soldered in the right places so they won't get forced or broken! :-)

Final Assembly -- Jumpers and Options

Next, install jumpers on the Membership Card to configure it for the type of memory chips at U2 and U8.

- () P2 and P3: Look at the memory chip installed at U2. Ignore the letters at the beginning and end of the part number, and find the 3-digit number in the center. For example, if marked "CXK58**256**P-10L" (or -**257**) then it is a generic 256K bit (32K byte) RAM -- the standard chip I supply.
- () Find **TABLE 1** in the bottom left corner of the schematic on page 20. Look up your chip number to see what jumpers to install. For a 32K byte RAM (62256 etc.), install jumpers at P2 between pins 1-2 and 4-5, and at P3 between pins 1-3 and 2-4.
- () If U8 is installed, look for the pads between Q1 and Q2, labeled U2, U8, HI, and LO. Jumpers at these pads control the addressing of U2 and U8. There are two options:

1. U2 to LO (0-32K) U8 to HI (32-64K) Standard; jumpers etched on bottom of board for this.
 - a. RAM at U2 (the classic all-RAM "ELF" configuration): Load programs with the Front Panel.
 - b. Or, install a 2k to 32K EPROM at U2, and RAM at U8: Automatically runs programs in the EPROM. For stand-alone controllers, since no Front Panel or manual program loading is needed.
 - c. Or, install RAMs at both U2 and U8. Now you have a 64K all-RAM system.
 2. U2 to HI (32-64K) U8 to LO (0-32K) Optional; **CUT** the etched jumpers on the bottom of the board (U2-LO, U8-HI), and jumper U2-HI and U8-LO.
 - a. Install RAM at U8. Load programs with the Front Panel. Socket U2 can be empty.
 - b. Or put a 2K to 32K EPROM at U2, for programs that run in high memory (i.e. the Elf2K ROM). Use the Front Panel to Load a LBR (address) instruction, then RUN it to jump to the EPROM.
- () Jumper options A/B, O0, O1, O2, O3 are on the Front Panel card:
1. To connect J2 into a PC parallel port: **Short** A/B and leave O0, O1, O2, and O3 open. This multiplexes the eight OUT4 bits into 4 bits, so a PC parallel port can control the Membership Card.
 2. To use J2 as a general-purpose I/O port: Leave A/B **open**, and short O0, O1, O2, and O3. This puts all eight OUT4 bits on pins of J2 (using pins that the PC parallel port normally grounds).
- () Re-install the Cover Card with #4 mounting hardware as shown on page 11. Plug the Membership Card and Front Panel cards together. Look between them to be sure that **NOTHING** touches between the two boards except the 30-pin connector P1-J1, the top of trimpot R1, and the two hex standoffs. If anything else touches, rework your solder joints or trim the leads on the back of the Front Panel so there are no shorts.
- () Put nuts on a few of the switches (like the ones at each end). There isn't room for nuts on all of them, and they aren't all needed anyway. A few nuts and the hardware for J2 will do the job.
- () Finally, screw the Membership Card to the threaded standoffs in J2 with two #4 screws.
- () The last page of this manual is a "cheat sheet" summary of operation. Cut out one vertical column, trim the corners, and fold it to fit inside the Altoids box. It's a handy reminder, and also keeps the pins on the back of the board from shorting to the metal case. :-)

Power On!

Now it's time for the smoke test! We'll connect power, and try not to let any of the magic smoke out. (Old timers will tell you that electronic devices don't work if the smoke gets out.)

The Membership Card takes very little power; 3-5vdc at a few ma, plus a few ma for each LED that is lit. A battery holder with three 1.5v AA cells in a second Altoids tin works nicely. Or you can use a USB cable to a computer, an old cellphone charger that outputs 5vdc, a single lithium 3.6v cell, or even a little solar panel.

Connecting Power

P4 is the power connector, located in the top left corner of the Front Panel board. It is a standard 6-pin header, with 0.025" square pins on 0.100" centers (and pin 2 removed for keying). There are many mating connectors. Example: Molex KK series: 22-01-2061 housing, and 08-55-0102 terminals (www.digikey.com WM1579-ND and WM2312-ND respectively). It is common, inexpensive, and easy to assemble.

P4 pin Name Function

1	-	VSS. Ground, common; the power supply negative.
2		key (no pin). Plug this hole in your mating connector so it won't fit backwards.
3	+	VDD. Power supply positive; +3 to +5 volts DC.
4	RX	Serial TTL data input (connects to PC TX output).
5	TX	Serial TTL data output (connects to PC RX input).
6	/ON	Off/On control. Ground or low for ON; open or high for OFF (standby).

If you're the impatient type, just connect your positive supply to pin 3, and ground to pins 1 and 6. Then skip ahead to the **Operation** section. Otherwise, here are some details for a more permanent setup later.

/ON (pin 6) has several jobs: When /ON is high or open, the Membership Card is in "Standby" (minimum power consumption). Memory is retained, the clock is stopped, the Front Panel LEDs are disabled, and the 1802 is reset. When /ON is low or grounded, the clock and Front Panel LEDs are enabled, and the 1802 runs programs. Pin 6 combines the functions of the RUN and LED pins on Membership Card rev.H2 and earlier.

Supercapacitor C5 will hold programs and data for hours. To hold it longer, leave power connected to P4 pins 1 and 3. Wire an SPST switch between P4 pin 1-6 as your "standby/on" switch. Notes:

- The Front Panel over-rides "Standby" unless you set the WAIT switch up.
- Standby power at 4v is under 50uA with the chips supplied (so AA cells will last several years).
- If you install any fast modern EPROMs or RAM upgrades, their standby power is a **lot** higher.

R1 sets the clock frequency (12 turns end-to-end). Fully clockwise is very slow, but very low power. Fully counter-clockwise is maximum speed. C1 is a ceramic resonator; at 5v it "locks in" at 1.8 MHz with R1 turned fully counter-clockwise, then clockwise about 1 turn.

Zener diode D11 is an "idiot" diode. If power is over 5.1v, or connected backwards, or is AC instead of DC, D11 shorts it out to protect the rest of the board. At worst, D11 will get hot and fail shorted; but it's cheap and easy to replace. D11 also protects C5, which is only rated for 5.5v max. Note: D11 starts conducting above 4.5v, which increases supply current; so use a 5.6v zener if power matters more than protection.

DB25 connector J2 pin 18 can also be used for the + power input. It has a diode in series (D12), so applying AC or reversing the polarity won't hurt anything. If you power your Membership Card this way, use a jumper plug or switch to short P4 pins 1-6. It becomes your off/on switch.

Operation

OK; so you connected power (and nothing smoked). Let's see if it works! The Front Panel selects the 1802's operating mode and shows its status. D8's red LED shows the state of the 1802 "Q" register, and green shows the state of 1802 "EF3". Data LEDs D0-D7 show the last data loaded or output by an 1802 program, and will initially be a random value. Data switches S0-S7 set the input data. S11 is the IN button; press it to load data.

S8 is the READ/WRITE switch; WRITE lets you read or write to memory. READ makes memory read-only. S9 and S10 are the mode switches, CLEAR and WAIT. They select the four operating modes as follows:

	<u>S9</u>	<u>S10</u>	<u>1802 Operation</u>
<u>Mode</u>	<u>CLEAR</u>	<u>LOAD</u>	
LOAD	down	down	Waits for the next memory read/write (next press of the IN button).
CLEAR	down	up	Reset the 1802 (sets registers Q, X, P, and R0 all to 0).
WAIT	up	down	Stops the program running in memory, and waits right where it is.
RUN	up	up	Runs (or resumes running) the program in memory.

Now, let's load a program and see if it all works!

1. Set switches S11-S0 as shown. "1" means the switch is up. "0" means the switch is down. "X" means push the IN button. "." means the switch position doesn't matter. I'll show the switch positions like this:

Switch numbers and positions on the board

<u>S11</u>	<u>S10</u>	<u>S9</u>	<u>S8</u>	<u>S7</u>	<u>S6</u>	<u>S5</u>	<u>S4</u>	<u>S3</u>	<u>S2</u>	<u>S1</u>	<u>S0</u>	<u>Mode</u>	<u>Description</u>
.	1	0	CLEAR	Resets the 1802.

PROGRAM 1 -- BLINK Q FAST

Let's load a simple program to blink the "Q" LED:

	<u>S11</u>	<u>S10</u>	<u>S9</u>	<u>S8</u>	<u>S7</u>	<u>S6</u>	<u>S5</u>	<u>S4</u>	<u>S3</u>	<u>S2</u>	<u>S1</u>	<u>S0</u>	<u>Mode</u>	<u>Description</u>
2.	.	1	0	CLEAR	Reset the 1802 (sets R0 to address 0000).
3.	.	1	0	1	WRITE	Set S8 up, so we can write to memory.
4.	.	0	0	1	LOAD	Set both S9 and S10 down.
	X	0	0	1	0	1	1	1	1	0	1	1		a. Set S7-S0 to "0111 1011", then press the IN button. This loads hex 7B (the SEQ or "Set Q" instruction) into memory address 0000, displays it in the LEDs, then advances R0 from address 0000 to 0001.
					7						B			
	X	0	0	1	0	1	1	1	1	0	1	0		b. Set S7-S0 to "0111 1010", then press IN. This loads hex 7A (the REQ or "Reset Q" instruction) into 0001, displays it, then advances R0 to 0002.
					7						A			
	X	0	0	1	0	0	1	1	0	0	0	0		c. Set S7-S0 to "0011 0000", then press IN. This loads hex 30 (BR or "Branch Unconditionally") into 0002, displays it, then advances R0 to 0003.
					3						0			
	X	0	0	1	0	0	0	0	0	0	0	0		d. Set S7-S0 to "0000 0000", then press IN. Loads hex 00 (tells "Branch Unconditionally" where to jump; in this case, back to 0), displays it, then advances R0 to 0004.
					0						0			

Our program is loaded. Let's read it back to see if it is correct.

	<u>S11</u>	<u>S10</u>	<u>S9</u>	<u>S8</u>	<u>S7</u>	<u>S6</u>	<u>S5</u>	<u>S4</u>	<u>S3</u>	<u>S2</u>	<u>S1</u>	<u>S0</u>	<u>Mode</u>	<u>Description</u>
5.	.	1	0	CLEAR	Reset the 1802 (sets R0 to address 0000).
6.	.	1	0	0	READ	Set S8 down, so we can read memory.
7.	.	0	0	0	LOAD	Set both S9 and S10 down.
	X	0	0	0	0	1	1	1	1	0	1	1		a. Press the IN button. This reads memory address 0000, displays its contents in the LEDs ("0111 1011" which is hex 7B), then advances R0 from address 0000 to 0001.
					7						B			
	X	0	0	0	0	1	1	1	1	0	1	0		b. Press IN again. Displays "0111 1010" = hex 7A from address 0001, then advances R0 from 0001 to 0002.
					7						A			
	X	0	0	0	0	0	1	1	0	0	0	0		c. Press IN again. Displays "0011 0000" = hex 30 from address 0002, then advances R0 to 0003.
					3						0			
	X	0	0	0	0	0	0	0	0	0	0	0		d. Press IN again. Displays "0000 0000" = hex 00 from address 0003, then advances to 0004.
					0						0			

If our program is correct, now we can run it!

- 8. . 1 0 CLEAR Reset the 1802 (set R0 back to address 0000).
- 9. . 1 1 RUN Both S9 and S10 up. The 1802 begins running the program starting at address 0000.

This program is very simple; it tells the 1802 to turn the Q LED on (red), then off, and repeat forever. But it's doing it too fast to see the individual blinks. To prove that it's really going on and off, connect a pair of headphones or a small speaker between J2 pin 15 (TXD, which is controlled by Q) and pin 19 (ground). You'll hear an audio tone! Adjusting R1 (the SPEED trimpot) changes the pitch.

Or, we can use the WAIT mode to temporarily stop the program.

- 10. . 0 1 WAIT Stop right where you are! The 1802 "freezes" where it is in the program. The Q bit may be caught set, or reset.

Flipping S10 up and down will RUN and WAIT the program, sometimes catching Q set (red), sometimes reset (green). WAIT is handy for debugging; you can stop at any time, and check any point in the circuit with a meter or logic probe to see what is going on, then continue execution.

PROGRAM 2 -- BLINK Q SLOW Blink the Q LED slowly.

Here is a bit longer program. It does the same thing (blinks Q), but much s-l-o-w-e-r. Use the same sequence of switch flipping as above. Let's simplify the description so it's not so wordy. See if you can figure out how to enter it. (Hint: There's a "cheat sheet" at the end of this manual).

address	machine code			
<u>(R0)</u>	<u>Hex</u>	<u>Binary</u>	<u>Mnemonic</u>	<u>Human readable comments</u>
0000	F8	1111 1000	LDI	LoaD Immediately...
0001	49	0100 1001	73	...73 decimal, which is 49 hex (trust me...)
0002	B2	1011 0010	PHI R2	Put it in the HI half of register 2
0003	22	0010 0010	DEC R2	DECrement (i.e. subtract 1 from) register 2
0004	92	1001 0010	GHI R2	Get the HI half of register 2
0005	3A	0011 1010	BNZ	Branch if Not Zero...
0006	03	0000 0011	3	...to address 3 (loops 8 x 256 = 2048 times)
0007	CD	1100 1101	LSQ	Long Skip over next 2 instructions if Q=1...
0008	7B	0111 1011	SEQ	...if Q was 0, then SEt Q=1
0009	38	0011 1000	SKP	...and SKIP next instruction
000A	7A	0111 1010	REQ	else Q was 1, so REset Q=0
000B	30	0011 0000	BR	BRanch unconditionally...
000C	00	0000 0000	0	...to address 0 (to begin again)

The instructions from 0000 to 0002 set up a 16-bit counter in register 2, and set it to hex 49xx. Instructions 0003 to 0006 are a loop; so register 2 counts down until it gets to hex 00FF. The high byte is then 00 (and the low byte is left at FF); so the BNZ instruction stops looping and the program continues at address 0007.

The LSQ instruction tests Q; if Q=1, it skips ahead 2 which resets Q to 0. If Q=0, it continues to set Q to 1. The result is to "toggle" Q on/off with each pass. Finally, the Branch instruction at 000B jumps back to the beginning to repeat the whole thing forever. The 49h in location 0001 happens to blink Q exactly once per second when you set the clock speed pot for 1.79 MHz. (This is the clock speed you want for serial communications.) You can control the speed by changing the value at 0001, or by adjusting trimpot R1.

PROGRAM 3 -- READ SWITCHES AND DISPLAY VALUE IN LEDS

This program is a bit more complex. It reads the 8 data switches, displays their settings on the 8 LEDs, and pulses Q at a rate set by the switches. It tests the Membership Card's ability to read the switches and write to the LEDs. If you connect a speaker as described above, you'll hear a tone whose frequency is set by the switches. See if you can enter it in hex, without the binary values. Note that some instructions have TWO bytes on the same line; they will go in consecutive memory addresses. Run the program with S8 up (WRITE).

Address	Hex machine code	Mnemonic	Comments
0000	E1	SEX 1	Set X register to 1 (OMG! The 1802 has sex!)
0001	90	GHI 0	Get HIgh byte of register 0 in D (which is 0; so this sets D=0)
0002	B1	PHI 1	Put D in HIgh byte of register 1 (so R1=00xx)
0003	F8 10	LDI 10h	Load D Immediately with 10 hex (TWO bytes in this instruction!)
0005	A1	PLO 1	Put D in the LOw half of R1 (so R1=0010)
0006	6C	INP 4	INPut port 4 (front panel switches) & write it to memory at (R1)
0007	64	OUT 4	OUTput to port 4 (front panel LEDs) contents of memory at (R1)
0008	7B	SEQ	Set Q. (At this point, D = the value read from the switches)
0009	FF 01	SMI 1	Subtract Memory Immediately from D (this means D=D-1)
000B	3A 08	BNZ 08h	Branch if Not Zero to address 0008 (so this loops "switch" times)
000D	7A	REQ	Reset Q
000E	30 00	BR 00h	BRanch unconditionally back to address 0000
0010	xx		(This address is where INP and OUT save the switch value)

More Programming

Toggleing in programs with the Front Panel gets old fast, doesn't it? It's really just there for testing and debugging. You'll want to use either the Parallel or Serial port to download bigger programs from your PC.

Parallel I/O

If your PC has a parallel port, all you need is a standard DB25 male-to-male cable. Download the program at <http://www.sunrise-ev.com/MembershipCard/ELF-LINK.BAS>. Set S8 to READ (down), all other switches UP, and run ELF-LINK. This is a Microsoft QuickBASIC program to control the Membership Card switches and LEDs, load and save programs, etc. If you don't like BASIC, the program is in plain ASCII so you can write a version in your favorite programming language. Now, who will be the first to translate it into C?

Serial I/O

Membership Card rev.G and later have an RS-232/TTL serial interface, and a socket for a second memory chip (U8). Install a RAM chip at U8 (see page 9), and an EPROM at U2 with a program in it to talk to a PC's RS-232 port (or USB port with a USB-to-serial adapter). So far, I have tested it with the following programs:

- Herb Johnson's IDIOT monitor http://www.retrotechnology.com/memship/idiot_ramrom.html
 - Chuck Yakym's monitor 2.0 + BASIC ROM <http://www.sunrise-ev.com/MembershipCard/MCSMP20.bin>
 - Spare Time Gizmo's Elf2K ROM <http://www.sparetimegizmos.com/Downloads/v88.hex>
- Note: Front Panel rev.J and later invert Q; see http://www.retrotechnology.com/memship/elf2k_mship.html

Serial I/O uses the 1802's Q output and EF3 input pins (see schematic on page 21). TTL-level serial I/O is on P4 (the 6-pin power connector). TTL levels are +3.3v to +5v idle, and 0v to +0.5v active. They connect to the 1802 through 1K resistors for protection. P4 pinouts match the Sparkfun #9718 USB-serial cable, which provides both serial I/O and power. See <https://www.sparkfun.com/products/9718>.

RS-232 level serial I/O is on 25-pin D-connector J2. RS-232 levels are -5v to -12v idle, and +5v to +12v active (i.e. inverted, which is standard RS-232 practice). This is an older standard, common on early PCs and terminals. For help with serial I/O, see http://www.retrotechnology.com/memship/mem_rom_serial.html

D8 is a 2-color LED. It is red when the 1802's Q output is high (active), green when the 1802's EF3 input pin is low (active), and yellow if both are active at once. Since Q and EF3 are used for serial I/O, D8 is red when sending data, and green when receiving data. If Q is low and no serial input is connected, D8 will be off.

See the web page at <http://www.sunrise-ev.com/membershipcard.htm#projects> for other ways to automate and control program loading.

In Case of Difficulty...

The usual problems are bad solder joints. Either a pin hasn't been soldered, or there is too much solder so it shorts to another pin.

Next, look for something too tall on the Membership Card that is shorting to the back of the Front Panel. Likely candidates are the pin headers P2 and P3.

Look for parts installed backwards (diodes or ICs or SIP resistors), or in the wrong place (like resistors).

If all this looks right, make sure you have +3.3v to +5v power to the board. The voltage on U4 pin 12 (RUN) should be high to enable the oscillator. U4 pin 11 is about 1/2 the supply voltage if the oscillator is running.

Switch to RUN, and look for signals on the 1802 TPA, TPB, /MRD, and SC0 pins. Even if it is executing nonsense (no program), these pins will still be pulsing high/low as the 1802 tries to read memory. Also check to see that all the 1802 MA0-7 and BUS0-7 pins are going high and low (so none are open or shorted).

Check the voltage on 1802 /EF4 input. It should be high, and go low when you push the IN button. If it's the opposite, you have the pushbutton in backwards. Here is how LOAD mode works:

- Press IN. The 1802 /EF4 pin and flip-flop U5B pin 11 go low.
- Release IN. /EF4 goes high. U5B sets, so its /Q output pin 12 goes low. This sets 1802 /DMA-IN low.
- The 1802 does a DMA in cycle. It puts an address on MA0-7, and pulses /MWR low to write to memory.
- During a Write cycle, /MRD is high. N2.or.LOAD is also high as we are in LOAD mode, so U4C pin 10 is low. This enables U6 to put the 8 DATA switches on BUS0-BUS7, where they get written into memory.
- 1802 SC1 is high during a DMA cycle; this resets U5B. The 1802 then does a read cycle (/MRD low) to read the byte just written to memory. /MRD low lets U5A set when TPB goes high, to latch the byte in U7.

The two boards can each be checked separately. Unplug the Front Panel, and power it alone. The schematic shows that it is just a set of independent switch outputs and LED inputs. So, you can connect jumper wires from any output to any input, and operate the switch and watch the LED to confirm that it's working.

To check the CPU board by itself, connect +power to P1 pin 14 (VDD), and ground to P1 pin 1 or 30 (GND). Jumper P1 pin 13 to pin 14 (RUN). The 1802 will "run" the program in U2. If there is no program (because you haven't loaded one), remove U2 and use eight resistors to pull all the data bus pins in socket U2 high (pins 11-13 and 15-19). This is FF, the "Subtract immediate" instruction. The 1802 will march through memory, incrementing the address bus and doing a read cycle (/MRD low) at each address. Other instructions (like C4, the NOP instruction) can be forced the same way.

Still doesn't work? Email me for help at leahart@earthlink.net. Failing that, send it to me and I'll fix it! :-)

Last Writes

I'm still working on this manual. Please feel free to contact me about what's good, what's bad, and ways to improve it. My contact information is on the front page. Also watch the websites below for details!

Changes along the way:

July 2010: Rev.A: Changed R8-R10 from 100k to 470k.

Aug 2010: Rev.B: Added Q1 and C6. Changed I/O port from 5/7 to 4/5/6/7 to match Elf. Added RUN to P4.

Nov 2010: R4,8-10 was 470k now 499k. C6 was 82pF, now 100pF (for expediency; had lots of these parts).

Jul 2011: Rev.C: Fixed silkscreen I/O port names; IN5/7 now INP4, OUT5/OUT7 now OUT4. (IN and OUT ports still respond to any port number from 4-7). Added "Cover Card" for a more finished appearance.

Aug 2011: Corrected P2 jumper chart on schematic. For 6116, 2716, 2732; P2 was 2-3, changed to 3-4. For 2764; P2 was 3-4, changed to 2-3. For 27128 and 27256; P2 was 1-2 and 3-4, changed to 2-3 and 4-5.

Jan 2012: Added photos of finished boards.

Mar 2012: Added "cheat sheet" summary page.

Apr 2012: R1 changed from 1meg to 500k (I ran out of 1meg pots).

June 2012: Rev.D board: R1 back to 1meg. R2 changed to 5.6k (to raise maximum clock frequency).

Added D12 (so power is available on DB25 connector J2). Added R14 (to use J2 pin 1 for serial input).

Added jumpers A/B, O0, O1, O2, and O2 (to provide 9 instead of 5 output bits on J2).

Aug 2012: Changed C5 from 0.047F to 0.022F, and R2 and R14 from 5.6k to 6.8k.

Jan 2013: Rev.E: Made room for a bigger supercapacitor at C5, and changed it to 0.10F.

May 2013: Rev.F: Changed C1 to ceramic resonator (more stable frequency). Removed R2 to make room.

Feb 2014: Rev.G: Added 32k RAM (U8; under U2); can have 32k RAM plus 32k EPROM! Add serial I/O using Q and EF3 to D-connector (Q2, Q3, C8, D13, R15). Add 2-color LED at D8 (shows Q and EF3).

Mar 2015: Rev.H: Q1 changed from 2N7000 to FJN3301, and R5 from 100k to 10k for faster /A15 rise time.

Added D14 for power-on CLEAR even if front panel switches are set to RUN. Add P6 to Front Panel.

May 2015: Rev.H2 CPU: Replaced Q1 with Q1+Q2 to make a proper inverter for fastest /A15 rise time.

June 2016: Rev.H2 Front Panel: Added R2 to improve RS-232 voltage levels.

Aug 2016: Upgraded C5 from 0.1F to 0.22F. Added jumper options for EEPROMs to schematic.

Feb 2017: Rev.I: Added TTL serial I/O to power connector P4. Combined RUN and LED into /ON signal.

Added Q6 and R15. Moved D15 to be across C8. Deleted the confusing serial jumper options.

Jun 2017: Rev.J: Delete R15. Add Q7 to invert serial output, so red Q LED is off (instead of on) when idle.

Aug 2017: R5, R12, R13 was 100k, now 82k (better pull-up). R11 was 1k, now 1.8k (saves power).

Feb 2019: Rev.J2: U4 was 4093, now 74HC132. R4 was 499k, now 1 meg. R8-10 were 499k, now 100k.

Links for more about the 1802 and ELF computers:

<http://www.sunrise-ev.com/membershipcard.htm>

My website, with ordering information, manual updates, schematics, cheat sheets, and more.

http://incolor.inebraska.com/bill_r/elf/html/elf-1-33.htm

The Aug 1976 Popular Electronics article that introduced the Elf. Most of it applies directly.

http://datasheets.chipdb.org/RCA/MPM-201B_CDP1802_Users_Manual_Nov77.pdf

An online copy of RCA's User Manual for the 1802. "Must read" reference material!

<http://www.ittybittycomputers.com/IttyBitty/ShortCor.htm>

"A Short Course in Programming" by Tom Pittman. An excellent introduction to programming the 1802.

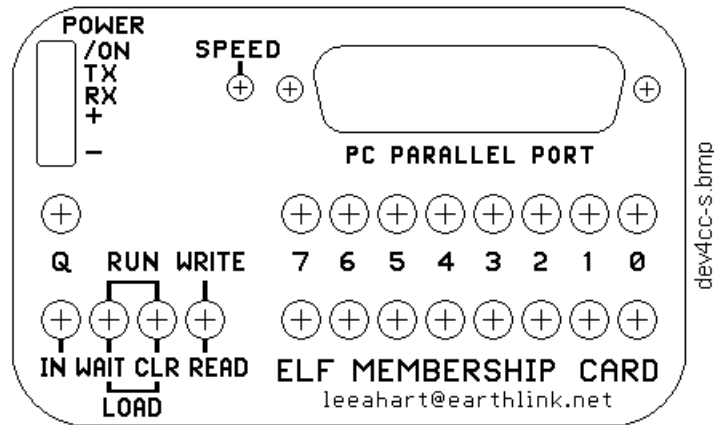
<http://www.cosmacelf.com>

The COSMAC ELF "fan club", with lots of information on the many commercial and hobbyist variants.

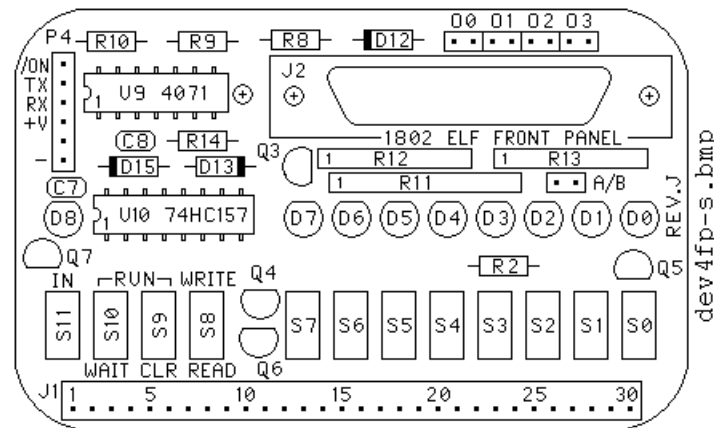
<http://www.retrotechnology.com/memship/memship.html>

Herb Johnson's Membership Card "home" page. There are loads of design notes, history, software examples, etc. He also sells the IDIOT serial monitor program and memory upgrade kit.

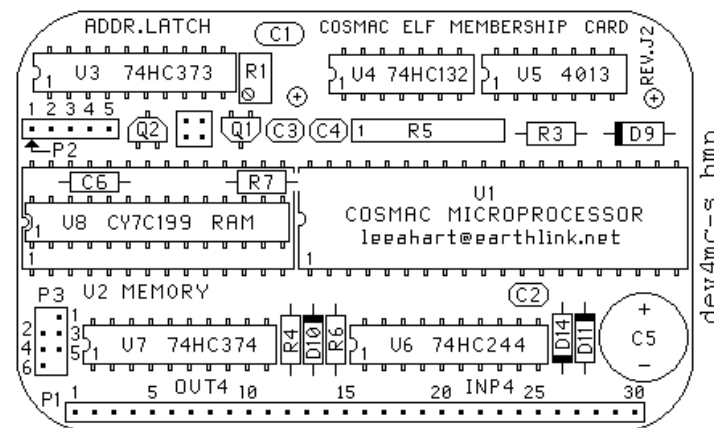
"Mugshots" of the Elf Membership Card 3-board Set



Cover Card (1:1 scale): Can use as a drilling template.

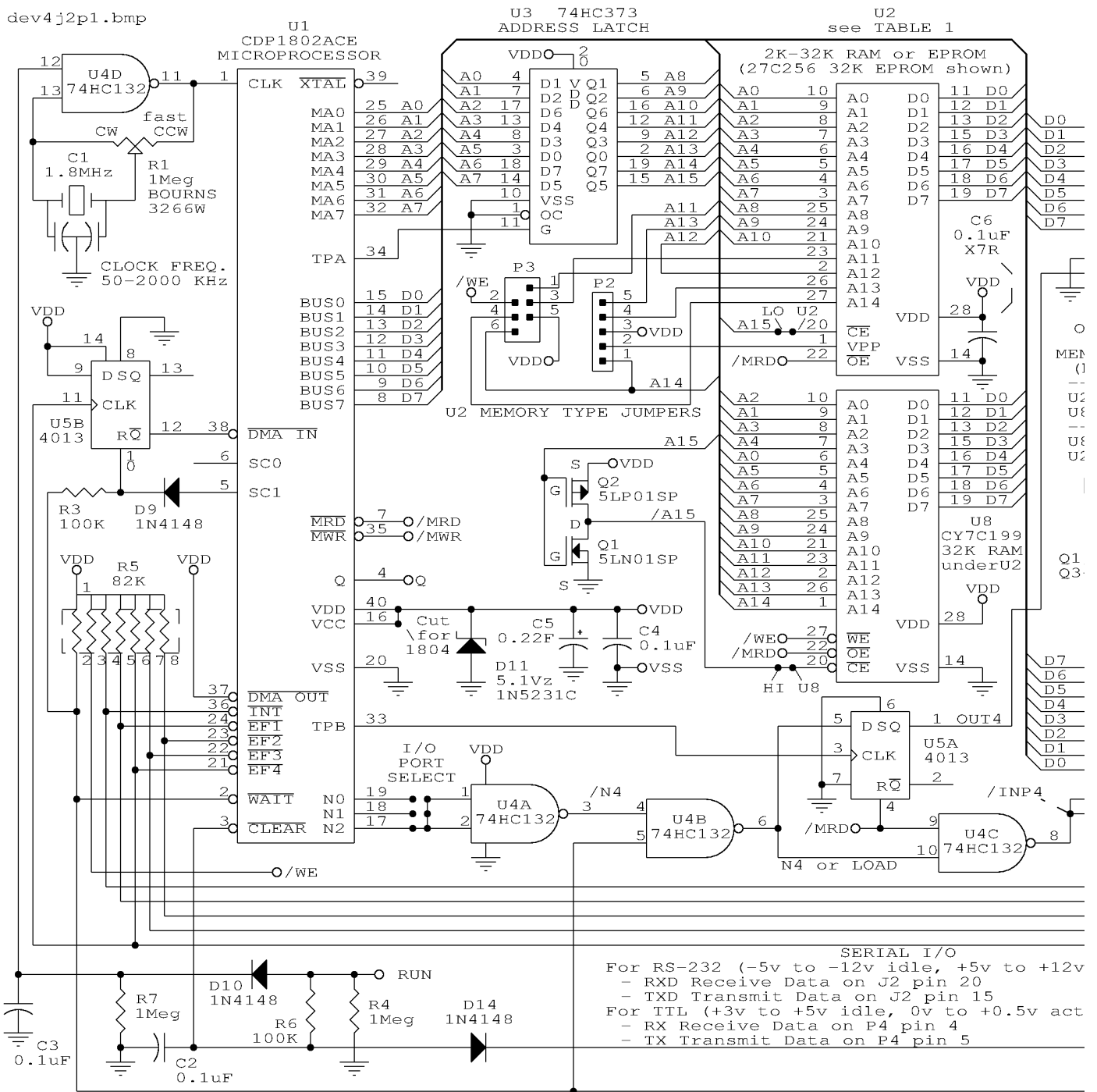


Front Panel Card (1:1 scale): Part location and placement guide.



Membership Card (1:1 scale): Part location and placement guide.

dev4j2p1.bmp

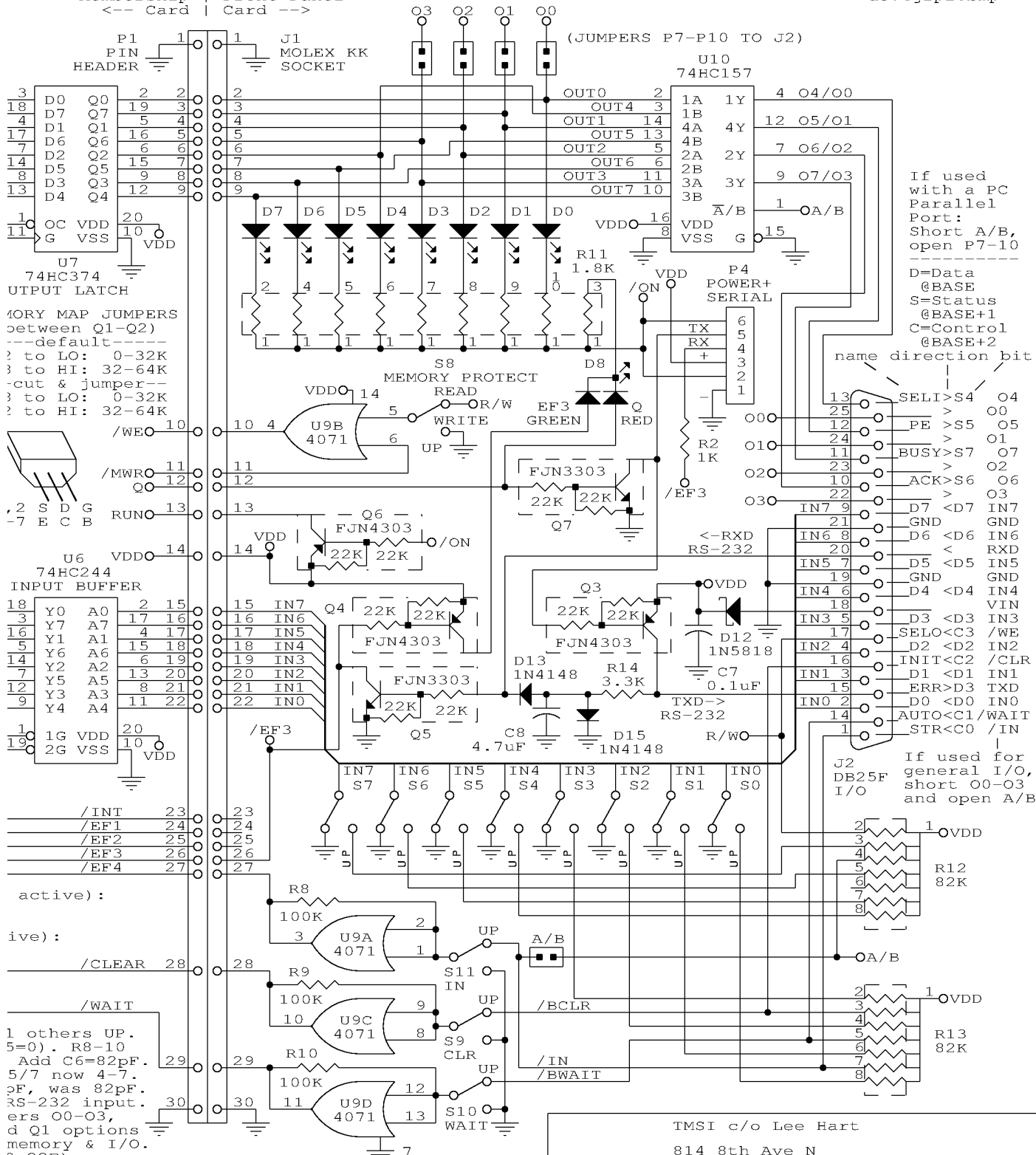


SERIAL I/O
 For RS-232 (-5v to -12v idle, +5v to +12v)
 - RXD Receive Data on J2 pin 20
 - TXD Transmit Data on J2 pin 15
 For TTL (+3v to +5v idle, 0v to +0.5v act)
 - RX Receive Data on P4 pin 4
 - TX Transmit Data on P4 pin 5

TABLE 1		Pin Numbers				Jumpers	
U2 part#	type	1	23	26	27	P2	P3
62256	32K RAM	A14	A11	A13	/WE	1-2, 4-5	1-3, 2-4
6264	8K RAM	A11	VDD	/WE	VDD	3-4	1-3, 2-4
* 6116	2K RAM	/WE	VDD	VDD	VDD	3-4	2-3
27256	32K EPROM	VDD	A11	A13	A14	2-3, 4-5	1-3, 4-6
28C256	32K EEPROM	A14	A11	A13	/WE	1-2, 4-5	1-3, 2-4
27128	16K EPROM	VDD	A11	A13	VDD	2-3, 4-5	1-3, 4-5
2764	8K EPROM	VDD	A11	NC	VDD	2-3	1-3, 4-5
28C64	8K EEPROM	VDD	A11	NC	/WE	2-3	1-3, 2-4
* 2732	4K EPROM	A11	VDD	VDD	VDD	3-4	1-3
* 2716	2K EPROM	VDD	VDD	VDD	VDD	3-4	3-5

* is a 24-pin IC: put its pin 1 into socket pin 3.
 /pin 6 /ON: GND to Run, Open for Standby.
 P4 power / pin 5 TX: TTL serial out.
 + serial< pin 4 RX: TTL serial in.
 connector \ pin 3 VDD: +3 to +5 VDC (3 AA cells etc)
 \ pin 1 GND: Common for power (VSS).

For PC Parallel Port: Set S8 DOWN, al.
 Rev.B: Add Q1 (U2 /CE=0 if TPB=1 & A1.
 was 100K, now 470K. Add RUN on P4-2.
 Drill "O" to open 1804 VCC. I/O was
 Rev.C: R4, 8-10=499K, was 470K. C6=100j
 Rev.D: R2=6.8K, was 15K. Add R14 for
 Add D12. Swap P1-J1 labels. Add jump
 A/B for 8 outputs on J2. Add N0-3 an
 to stack Membership Cards to double
 Rev.E: Add room for larger cap C5 (up to
 Rev.F: Remove R2 (R1 now does its job
 Rev.G: Add U8. Change C6 to bypass cap
 D8 is red for Q=1 (TXD active), gree
 Rev.H: Add D14. R4 was /CLEAR now GND.
 Rev.H2: Add Q1+Q2 for /A15 inverter.
 Rev.I: P4 now 6-pin (use Sparkfun #97
 PCB across C8. P4 /ON is RUN+LED: G
 Rev.J: Fix Q4 silkscreen. Add D15. Ad
 Rev.J2: U4 was 4093, now 74HC132. R4



If used with a PC Parallel Port:
 Short A/B, open P7-10

D=Data @BASE
 S=Status @BASE+1
 C=Control @BASE+2

name direction bit

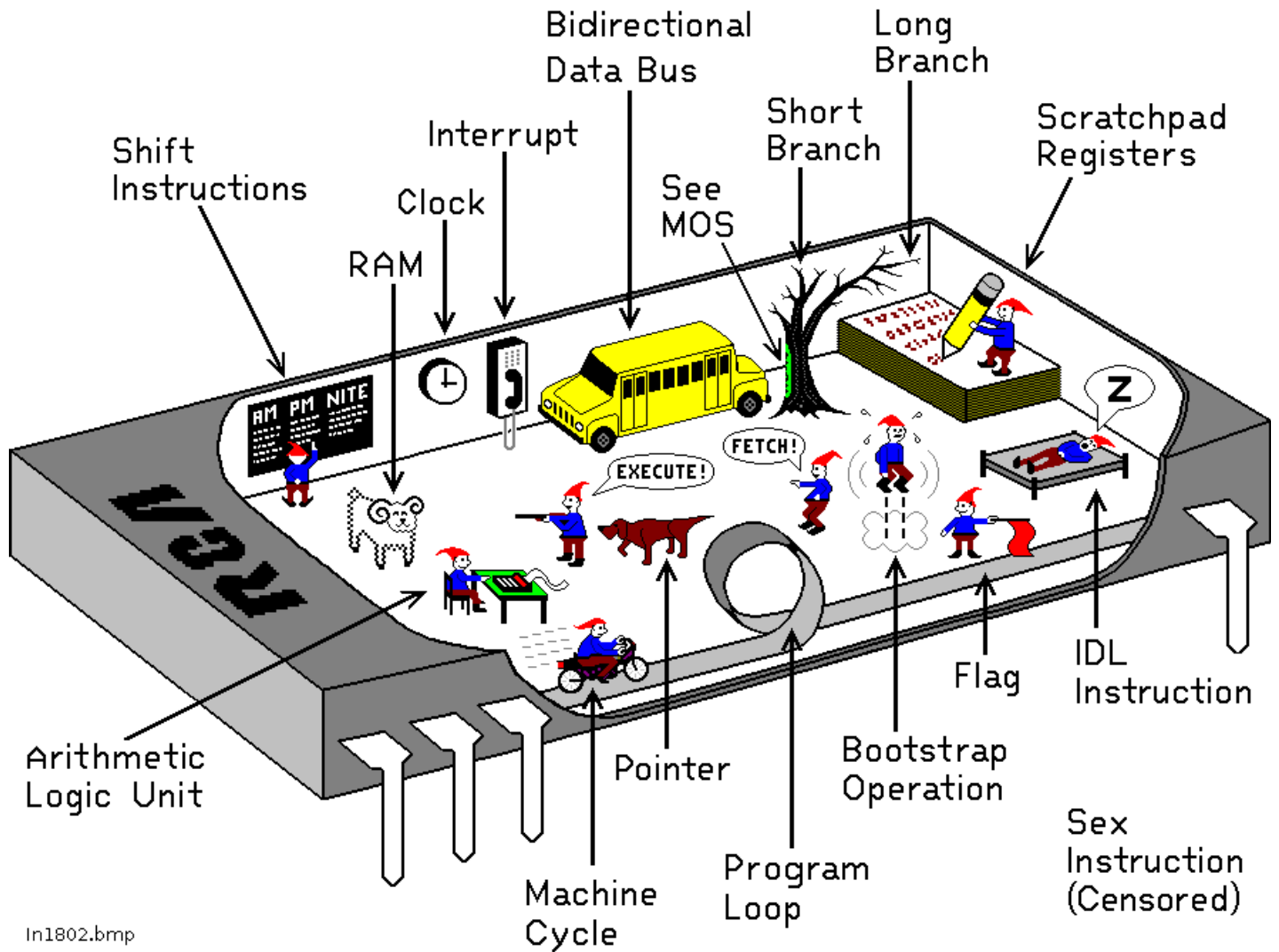
SEL1>S4 O4
 PE >S5 O5
 > O1
 BUSY>S7 O7
 > O2
 ACK>S6 O6
 > O3
 IN7 9 D7 <D7 IN7
 GND <D6 IN6
 < RXD IN5
 IN5 7 D5 <D5 IN5
 GND <D4 IN4
 IN4 6 D4 <D4 IN4
 18 VIN
 IN3 5 D3 <D3 IN3
 SELO<C3 /WE
 D2 <D2 IN2
 IN2 4 D1 <D1 IN1
 16 INIT<C2 /CLR
 IN1 3 D1 <D1 IN1
 15 ERR>D3 TXD
 IN0 2 D0 <D0 IN0
 14 AUTO<C1/WAIT
 STR<C0 /IN

If used for general I/O, short O0-O3 and open A/B

active):
 ive):
 /CLEAR 28
 /WAIT 29
 1 others UP.
 5=0). R8-10
 Add C6=82pF.
 5/7 now 4-7.
 9pF, was 82pF.
 RS-232 input.
 ers O0-O3,
 d Q1 options
 memory & I/O.
 3.22F).
). Replace C1 with 1.8 MHz ceramic resonator.
 9 for U8. Add serial I/O to J2 using Q and EF3.
 n for EF3 pin=1 (RXD active).
 . Q1 was 2N7000 now FJN3307. R5 was 100K now 10K.
 Replace R15 with P6 serial RXD jumper. Add D15.
 18 USB-serial cable). Add Q6, R15. Add D15 UNDER
 D=run clock, 1802, LEDs. VDD or open=standby.
 i Q7 to invert serial out (Q=0 is idle, LED off).
 was 499K, now 1Meg. R8-10 was 499K now 100K.

TMSI c/o Lee Hart 814 8th Ave N Sartell MN 56377 leeahart@earthlink.net		
Title 1802MC rev.J2 with 74HC132		
Size	Document Number	REV
B	C:\ORCAD\SHEET\1802\DEV4J2.SCH	J2
Date:	March 14, 2019	Sheet 1 of 1

The Inside Story...



How the 1802 in an Elf computer REALLY works!

1802 Membership Card Summary

©2017 by TMSI, 814 8th Ave N, Sartell MN 56377 <leeahart@earthlink.net>

Register Summary

D	8 bit	D register (Accumulator)	DF	1 bit	Data flag (ALU carry)
Rn	16 bit	1 of 16 registers (n=0-F)	P	4 bit	Program register select
X	4 bit	Data register select	T	8 bit	Saved X,P after interrupt
IE	1 bit	Interrupt Enable	Q	1 bit	Output flip-flop

Interrupt: Finish executing current instruction, then save X and P in T, then set P=1, X=2 and IE=0 (Inhibit). Execution continues at M(R1).
DMA: Finish executing current instruction, then use R0 as memory address for data transfer. DMA-IN writes data from bus to memory, or DMA-OUT reads data from memory to Bus. Then increment R0. If simultaneous, DMA-IN has highest priority, then DMA-OUT, then Interrupt.
EF1-4: External 1-bit flags that can be tested by Branch instructions.
Q: External 1-bit output that can be set, reset, and tested by Branch and Skip instructions.

<http://www.sunrise-ev.com/membershipcard.htm>

Register Operations

1n .. INC Rn	Rn=Rn+1	0n .. LDN Rn	D=M(Rn) for n not 0
2n .. DEC Rn	Rn=Rn-1	4n .. LDA Rn	D=M(Rn), then inc Rn
60 .. IRX Rx	Rx=Rx+1	F0 .. LDX	D=M(Rx)
8n .. GLO Rn	D=Rn(low8)	72 .. LDXA	D=M(Rx), then inc Rx
9n .. GHI Rn	D=Rn(high8)	F8 nn .. LDI nn	D=M(Rp)
An .. PLO Rn	Rn(low8)=D	5n .. STR Rn	M(Rn)=D
Bn .. PHI Rn	Rn(high8)=D	73 .. STXD	M(Rx)=D, then dec Rx

Memory Load / Store

30 nn .. NBR nn	branch to nn	38 nn .. NBR nn	no branch (skip nn)
31 nn .. BQ nn	branch if Q=1	39 nn .. BNQ nn	branch if Q=0
32 nn .. BD nn	branch if D=0	3A nn .. BNZ nn	branch if D not 0
33 nn .. BDF nn	branch if DF=1, or BPZ nn br. if positive or 0, or BGE nn br. if equal or greater	3B nn .. BNF nn	branch if DF=0, or BM nn branch if minus, or BL nn branch if less than
34 nn .. B1 nn	branch if EF1=1	3C nn .. BN1 nn	branch if EF1=0
35 nn .. B2 nn	branch if EF2=1	3D nn .. BN2 nn	branch if EF2=0
36 nn .. B3 nn	branch if EF3=1	3E nn .. BN3 nn	branch if EF3=0
37 nn .. B4 nn	branch if EF4=1	3F nn .. BN4 nn	branch if EF4=0

Short Branch Instructions (nn is low byte of address on same page)

name	dots	bus cycles	opcode	2nd byte	description
------	------	------------	--------	----------	-------------

Long Branch & Skip (hhll=address high byte, low byte)

C0 hhll .. LBR hhll	branch to hhll	C8 hhll .. NLBR hhll	no br. (skip hhll)
C1 hhll .. LBQ hhll	branch if Q=1	C9 hhll .. LBNQ hhll	branch if Q=0
C2 hhll .. LBZ hhll	branch if D=0	CA hhll .. LBNZ hhll	branch if D not 0
C3 hhll .. LBDF hhll	branch if DF=1	CB hhll .. LBNF hhll	branch if DF=0
C4 .. NOP	no operation	CC .. LSI	skip 2 if IE=1
C5 .. LSNQ	skip 2 if Q=0	CD .. LSQ	skip 2 if Q=1
C6 .. LSNZ	skip 2 if Dnot 0	CE .. LSZ	skip 2 if D=0
C7 .. LSNF	skip 2 if DF=0	CF .. LSDF	skip 2 if DF=1

Logic, Arithmetic, and Shift (result in D, carry/borrow/shift in DF)

F1 .. OR	D=D or M(Rx)	F9 nn .. ORI nn	D=D or nn
F2 .. AND	D=D and M(Rx)	FA nn .. ANI nn	D=D and nn
F3 .. XOR	D=D xor M(Rx)	FB nn .. XRI nn	D=D xor nn
F4 .. ADD	D=D+M(Rx)	FC nn .. ADI nn	D=D+nn
F7 .. ADC	D=D+M(Rx)+DF	7C nn .. ADCI nn	D=D+nn+DF
F5 .. SD	D=M(Rx)-D	FD nn .. SDI nn	D=nn-D
F7 .. SDB	D=M(Rx)-D-not DF	7D nn .. SDBI nn	D=nn-D-not DF
F7 .. SM	D=D-M(Rx)	FF nn .. SMI nn	D=D-nn
F7 .. SMB	D=D-M(Rx)-not DF	7F nn .. SMBI nn	D=D-nn-not DF

only add, subtract, and shift instructions change DF

Logic, Arithmetic, and Shift Instructions (continued)

F6 .. SHR	shift D right; D(msb)=0, DF=D(lsb)	76 .. SHRC	shift D right with carry; or RSHR D(msb)=DF, DF=D(lsb)
FE .. SHL	shift D left; D(lsb)=0, DF=D(msb)	7E .. SHLC	shift D left with carry; or RSHL D(lsb)=DF, DF=D(msb)

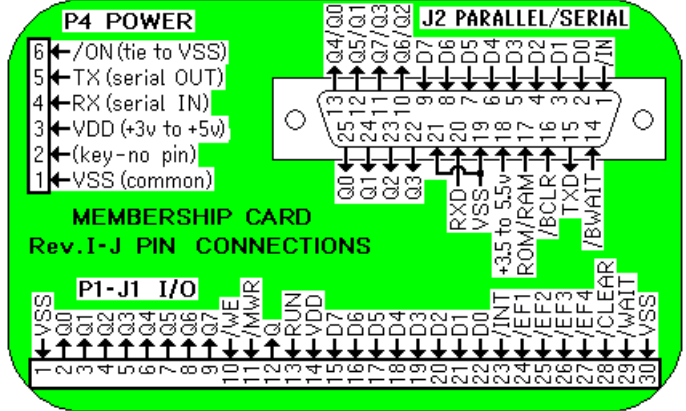
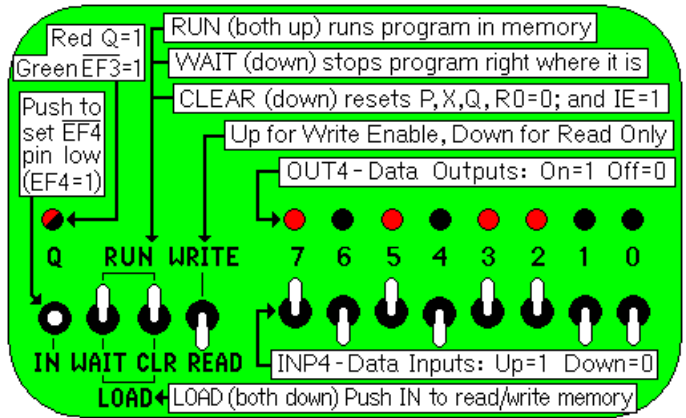
Control Instructions

00 ... IDL	wait for INT or DMA	78 .. SAV	M(Rx)=T
68 ..	reserved for 1804/5/6	7A .. REQ	reset Q=0
70 .. RET	X,P=M(Rx); inc Rx; IE=1	7B .. SEQ	set Q=1
71 .. DIS	X,P=M(Rx); inc Rx; IE=0	Dn .. SEP n	set P=n
79 .. MARK	T=X,P; M(R2)=X,P; X=P; dec R2	En .. SEX n	set X=n

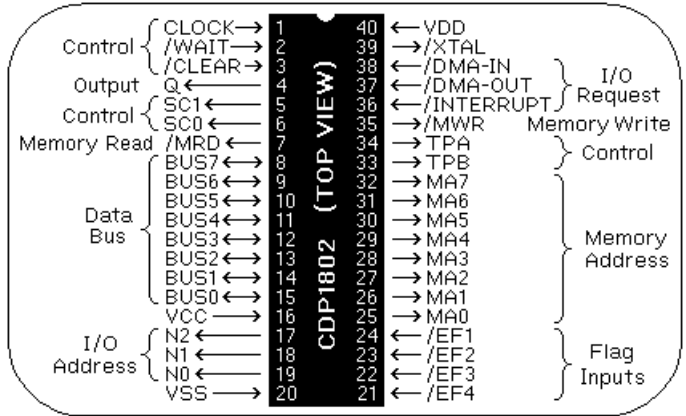
Input/Output Instructions (with N output on pins N0, N1, and N2)

61 .. OUT1	bus=M(Rx), N=1; inc Rx	69 .. INP1	M(Rx)=D=bus, N=1
62 .. OUT2	bus=M(Rx), N=2; inc Rx	6A .. INP2	M(Rx)=D=bus, N=2
63 .. OUT3	bus=M(Rx), N=3; inc Rx	6B .. INP3	M(Rx)=D=bus, N=3
64 .. OUT4	bus=M(Rx), N=4; inc Rx	6C .. INP4	M(Rx)=D=bus, N=4
65 .. OUT5	bus=M(Rx), N=5; inc Rx	6D .. INP5	M(Rx)=D=bus, N=5
66 .. OUT6	bus=M(Rx), N=6; inc Rx	6E .. INP6	M(Rx)=D=bus, N=6
67 .. OUT7	bus=M(Rx), N=7; inc Rx	6F .. INP7	M(Rx)=D=bus, N=7

Add: DF=1 if carry. Subtract: DF=0 if borrow (negative).



Hex	Binary			MSD	0x	1x	2x	3x	4x	5x	6x	7x		
	0	0000	0		LSD	000	001	010	011	100	101	110	111	
	1	0001	1		x0	0000	NUL	DLE (sp)	0	@	P	p		
	2	0010	2		x1	0001	SOH	DC1	!	1	A	Q	a	q
	3	0011	3		x2	0010	STX	DC2	"	2	B	R	b	r
	4	0100	4		x3	0011	ETX	DC3	#	3	C	S	c	s
	5	0101	5		x4	0100	EOT	DC4	\$	4	D	T	d	t
	6	0110	6		x5	0101	ENQ	NAK	%	5	E	U	e	u
	7	0111	7		x6	0110	ACK	SYN	&	6	F	V	f	v
	8	1000	8		x7	0111	BEL	ETB	'	7	G	W	g	w
	9	1001	9		x8	1000	BS	CAN	(8	H	X	h	x
	A	1010	10		x9	1001	HT	EM)	9	I	Y	i	y
	B	1011	11		xA	1010	LF	SUB	*	:	J	Z	j	z
	C	1100	12		xB	1011	VT	ESC	+	:	K	[k]
	D	1101	13		xC	1100	FF	FS	<	<	L	\	l	;
	E	1110	14		xD	1101	CR	GS	=	=	M]	m	}
F	1111	15	xE	1110	SO	RS	>	>	N	^	n	~		
			xF	1111	SI	US	/	?	O	_	o	DEL		



Membership Card Summary: Keep the left half in the manual, in case you need to make a copy later.

Cut out the right half, fold, and put in the Altoids case as a quick reference (and so board won't short to case).

1802 Membership Card Summary

©2017 by TMSI, 814 8th Ave N, Sartell MN 56377 <leeahart@earthlink.net>

Register Summary

D	8 bit	D register (Accumulator)	DF	1 bit	Data flag (ALU carry)
Rn	16 bit	1 of 16 registers (n=0-F)	P	4 bit	Program register select
X	4 bit	Data register select	T	8 bit	Saved X,P after interrupt
IE	1 bit	Interrupt Enable	Q	1 bit	Output flip-flop

Interrupt: Finish executing current instruction, then save X and P in T, then set P=1, X=2 and IE=0 (Inhibit). Execution continues at M(R1).
DMA: Finish executing current instruction, then use R0 as memory address for data transfer. DMA-IN writes data from bus to memory, or DMA-OUT reads data from memory to Bus. Then increment R0. If simultaneous, DMA-IN has highest priority, then DMA-OUT, then Interrupt.
EF1-4: External 1-bit flags that can be tested by Branch instructions.
Q: External 1-bit output that can be set, reset, and tested by Branch and Skip instructions.

<http://www.sunrise-ev.com/membershipcard.htm>

Register Operations

1n .. INC Rn	Rn=Rn+1	0n .. LDN Rn	D=M(Rn) for n not 0
2n .. DEC Rn	Rn=Rn-1	4n .. LDA Rn	D=M(Rn), then inc Rn
60 .. IRX Rx	Rx=Rx+1	F0 .. LDX	D=M(Rx)
8n .. GLO Rn	D=Rn(low8)	72 .. LDXA	D=M(Rx), then inc Rx
9n .. GHI Rn	D=Rn(high8)	F8 nn .. LDI nn	D=M(Rp)
An .. PLO Rn	Rn(low8)=D	5n .. STR Rn	M(Rn)=D
Bn .. PHI Rn	Rn(high8)=D	73 .. STXD	M(Rx)=D, then dec Rx

Memory Load / Store

30 nn .. BR nn	branch to nn	38 nn .. NBR nn	no branch (skip nn)
31 nn .. BQ nn	branch if Q=1	39 nn .. BNQ nn	branch if Q=0
32 nn .. BZ nn	branch if D=0	3A nn .. BNZ nn	branch if D not 0
33 nn .. BDF nn	branch if DF=1, or BPZ nn br. if positive or 0, or BGE nn br. if equal or greater	3B nn .. BNF nn	branch if DF=0, or BM nn branch if minus, or BL nn branch if less than
34 nn .. B1 nn	branch if EF1=1	3C nn .. BN1 nn	branch if EF1=0
35 nn .. B2 nn	branch if EF2=1	3D nn .. BN2 nn	branch if EF2=0
36 nn .. B3 nn	branch if EF3=1	3E nn .. BN3 nn	branch if EF3=0
37 nn .. B4 nn	branch if EF4=1	3F nn .. BN4 nn	branch if EF4=0

name¹ dots=bus cycles opcode² 1²nd byte ³description

Long Branch & Skip (hhll=address high byte, low byte)

C0 hhll...LBR hhll	branch to hhll	C8 hhll...NLBR hhll	no br. (skip hhll)
C1 hhll...LBQ hhll	branch if Q=1	C9 hhll...LBNQ hhll	branch if Q=0
C2 hhll...LBZ hhll	branch if D=0	CA hhll...LBNZ hhll	branch if D not 0
C3 hhll...LBDZ hhll	branch if DF=1	CB hhll...LBNF hhll	branch if DF=0
C4 ...NOP	no operation	CC ...LSIE	skip 2 if IE=1
C5 ...LSNQ	skip 2 if Q=0	CD ...LSQ	skip 2 if Q=1
C6 ...LSNZ	skip 2 if Dnot0	CE ...LSZ	skip 2 if D=0
C7 ...LSNF	skip 2 if DF=0	CF ...LSDF	skip 2 if DF=1

Logic, Arithmetic, and Shift (result in D, carry/borrow/shift in DF)

F1 .. OR	D=D or M(Rx)	F9 nn .. ORI nn	D=D or nn
F2 .. AND	D=D and M(Rx)	FA nn .. ANI nn	D=D and nn
F3 .. XOR	D=D xor M(Rx)	FB nn .. XRI nn	D=D xor nn
F4 .. ADD	D=D+M(Rx)	FC nn .. ADI nn	D=D+nn
74 .. ADC	D=D+M(Rx)+DF	7D nn .. ADCI nn	D=D+nn+DF
F5 .. SD	D=M(Rx)-D	FD nn .. SDI nn	D=nn-D
75 .. SDB	D=M(Rx)-D-not DF	7E nn .. SDBI nn	D=nn-D-not DF
F7 .. SM	D=D-M(Rx)	7F nn .. SMI nn	D=D-nn
77 .. SMB	D=D-M(Rx)-not DF	7F nn .. SMBI nn	D=D-nn-not DF

only add, subtract, and shift instructions change DF

Logic, Arithmetic, and Shift Instructions (continued)

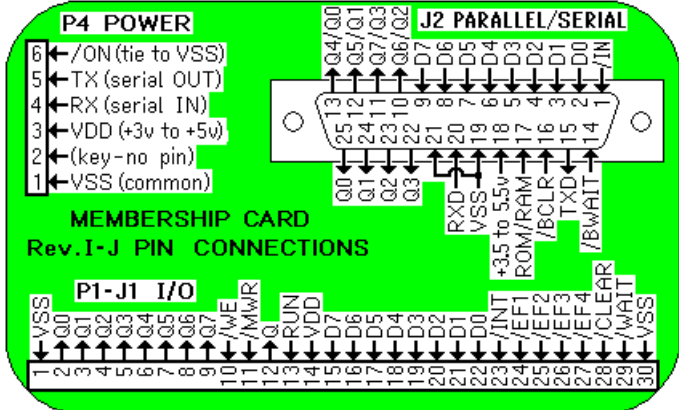
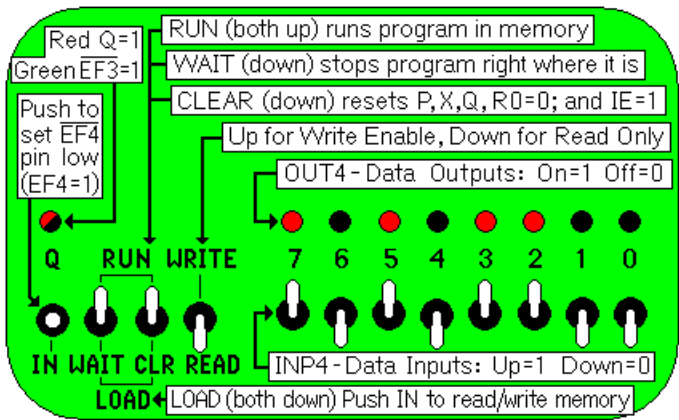
F6 .. SHR	shift D right; D(msb)=0, DF=D(lsb)	76 .. SHRC	shift D right with carry; or RSHR D(msb)=DF, DF=D(lsb)
FE .. SHL	shift D left; D(lsb)=0, DF=D(msb)	7E .. SHLC	shift D left with carry; or RSHL D(lsb)=DF, DF=D(msb)

Control Instructions

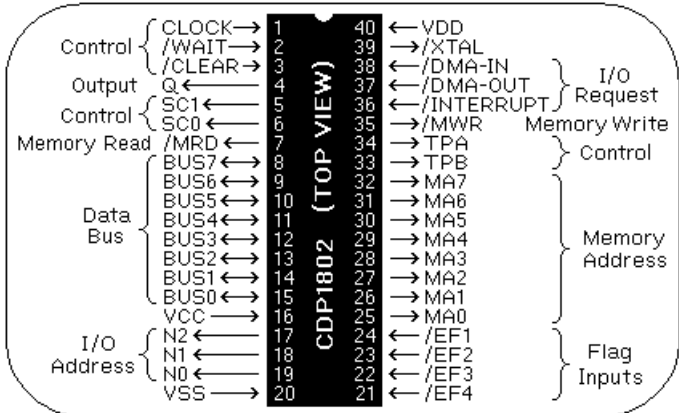
00 ... IDL	wait for INT or DMA	78 .. SAV	M(Rx)=T
68 ..	reserved for 1804/5/6	7A .. REQ	reset Q=0
70 .. RET	X,P=M(Rx); inc Rx; IE=1	7B .. SEQ	set Q=1
71 .. DIS	X,P=M(Rx); inc Rx; IE=0	Dn .. SEP	n set P=n
79 .. MARK	T=X,P; M(R2)=X,P; X=P; dec R2	En .. SEX	n set X=n

61 .. OUT1	bus=M(Rx), N=1; inc Rx	69 .. INP1	M(Rx)=D=bus, N=1
62 .. OUT2	bus=M(Rx), N=2; inc Rx	6A .. INP2	M(Rx)=D=bus, N=2
63 .. OUT3	bus=M(Rx), N=3; inc Rx	6B .. INP3	M(Rx)=D=bus, N=3
64 .. OUT4	bus=M(Rx), N=4; inc Rx	6C .. INP4	M(Rx)=D=bus, N=4
65 .. OUT5	bus=M(Rx), N=5; inc Rx	6D .. INP5	M(Rx)=D=bus, N=5
66 .. OUT6	bus=M(Rx), N=6; inc Rx	6E .. INP6	M(Rx)=D=bus, N=6
67 .. OUT7	bus=M(Rx), N=7; inc Rx	6F .. INP7	M(Rx)=D=bus, N=7

Add: DF=1 if carry. Subtract: DF=0 if borrow (negative).



Hex	Binary	Dec	MSD		LSD							
			0x	1x	2x	3x	4x	5x	6x	7x		
0	0000	0	000	000	x0 0000	NUL	DLE (sp)	0	@	P	'	p
1	0001	1	x1 0001	SOH	DC1	!	1	A	Q	a	q	
2	0010	2	x2 0010	STX	DC2	"	2	B	R	b	r	
3	0011	3	x3 0011	ETX	DC3	#	3	C	S	c	s	
4	0100	4	x4 0100	EOT	DC4	\$	4	D	T	d	t	
5	0101	5	x5 0101	ENQ	NAK	%	5	E	U	e	u	
6	0110	6	x6 0110	ACK	SYN	&	6	F	V	f	v	
7	0111	7	x7 0111	BEL	ETB	'	7	G	W	g	w	
8	1000	8	x8 1000	BS	CAN	(8	H	X	h	x	
9	1001	9	x9 1001	HT	EM)	9	I	Y	i	y	
A	1010	10	xA 1010	LF	SUB	*	:	J	Z	j	z	
B	1011	11	xB 1011	VT	ESC	+	:	K	[k]	
C	1100	12	xC 1100	FF	FS	<	<	L	\	l		
D	1101	13	xD 1101	CR	GS	=	=	M]	m	}	
E	1110	14	xE 1110	SO	RS	>	>	N	^	n	~	
F	1111	15	xF 1111	SI	US	/	/	O	_	o	DEL	



Membership Card Summary: Keep the left half in the manual, in case you need to make a copy later.

Cut out the right half, fold, and put in the Altoids case as a quick reference (and so board won't short to case).