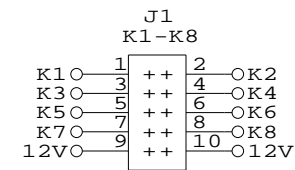
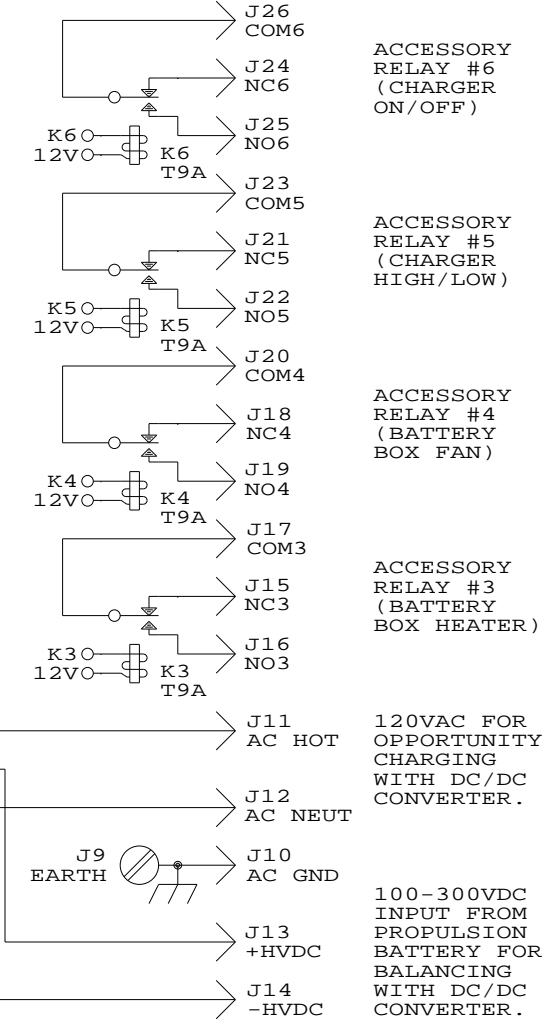


SWITCHED OUTPUT OF DC/DC CONVERTER, TO RELAY BOARDS FOR DISTRIBUTION TO INDIVIDUAL BATTERIES.



1. Unused C3+, Q1-6, Q9+, R7+, J27+.
2. ALL RELAYS SHOWN IN DE-ENERGIZED POSITION.
3. ALL RESISTORS 5% 1/4W UNLESS OTHERWISE NOTED.
4. K2-K6 ARE P&B T9AS5D12-12, COIL 12vdc 83mA, SPDT 15A.
5. K1 AND K7 ARE P&B T92S11D12-12, COIL 12vdc 140mA, DPDT 30A.

TMSI c/o Lee A. Hart
 814 8th Ave N
 Sartell, MN 56377
 (320) 656-9574
 leeahart@earthlink.net

Title		
BATTERY BALANCER - POWER BOARD		
Size	Document Number	REV
A	POWER.SCH (C) 2008 by TMSI	A
Date:	February 26, 2009	Sheet 1 of 1